

PUBLIC ADDRESS / SPEAKERS / EXPONENTIALS

VULKAN-30

LOW IMPEDANCE EXPONENTIAL SPEAKER



IP66

- ✓ High efficiency in transmitting messages or warnings
- ✓ Long reach
- ✓ For outdoor use
- ✓ IP-66 protection against dust and water

ESPECIALLY RECOMMENDED IN:



Factories



Sports facilities



Hotels



Transport Stations

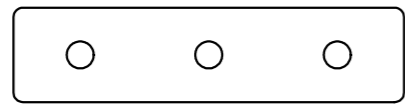
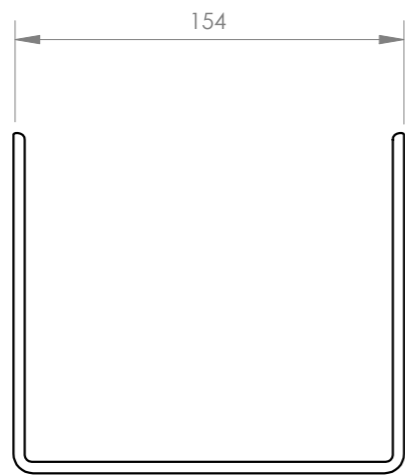
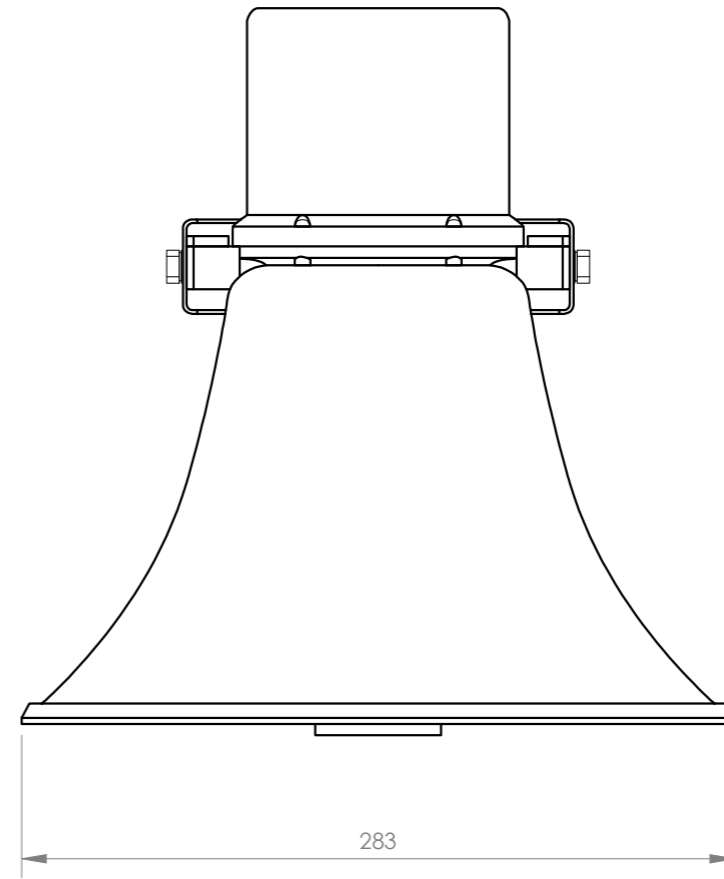
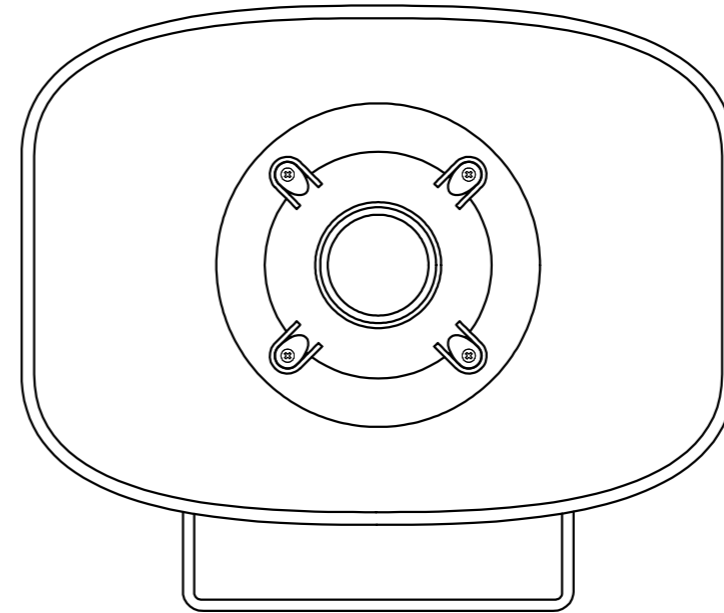
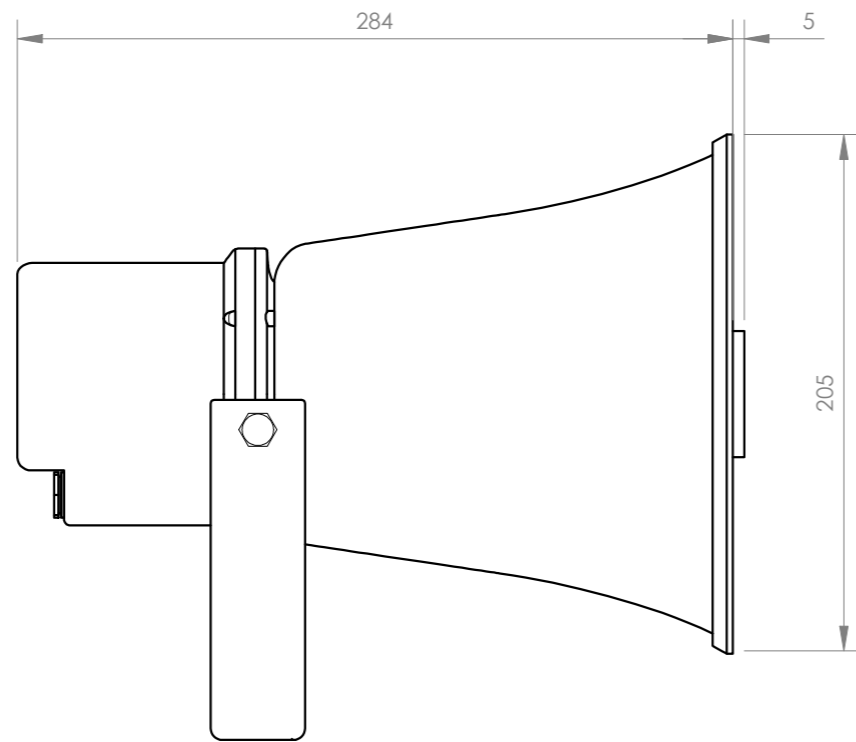
DESCRIPTION

Low impedance exponential speaker FONESTAR presents the VULKAN range of horn loudspeakers to provide a solution for a wide range of installations where it is required to send the sound signal with maximum efficiency. The horn loudspeakers of the VULKAN series are suitable for reproducing the frequency range of speech and sending messages over long distances. Specially constructed with materials that are highly resistant to adverse weather conditions, and a design that gives them an IP-66 degree of protection against the ingress of dust and water. Suitable for outdoor use and marine environments. Low impedance loudspeaker for direct connection to the amplifier in installations where a long cable run is not necessary. The ABS-made diffuser and the aluminium mount offer high resistance to aggressive environments. For public address applications in open spaces, industrial facilities, sports facilities, car parks, etc.

TECHNICAL CHARACTERISTICS

FEATURES	Low impedance horn loudspeaker. Prepared for outdoor use with anti-corrosion materials. Protection against water. For long-range message playback.
POWER	30 W RMS
LOUDSPEAKERS	1 x compression driver
RESPONSE	400-6,000 Hz (-10 dB)
IMPEDANCE	8 Ohm
SENSITIVITY	105 dB @ 1 W/1 m
MAXIMUM SOUND PRESSURE	118 dB @ 15 W/1 m
DISPERSION	H/V: 180°/160°@500Hz, 90°/80°@1kHz, 50°/40°@2kHz, 40°/30°@4kHz (-6 dB)
PROTECTIONS	IP-66 in compliance with EN 60529
MATERIAL	ABS diffuser and rear cover Aluminium mount A2 stainless steel screws
CONNECTION	30 cm cable with stripped ends
TEMPERATURE RANGE	Operation: -25°C ~ +55°C Storage: -40°C ~ +70°C
HUMIDITY	<95%

COLOUR	Grey (RAL 7035)
DIMENSIONS	285 x 205 x 285 mm depth
WEIGHT	1.7 kg



FONESTAR	Model	Description	Units	Scale
	VULKAN-30	LOW IMPEDANCE EXPONENTIAL SPEAKER	mm	1:3