

KS-WALL, KS-WALL-4

AUDIO SYSTEM

KIT DE SONIDO

KIT DE SON

KIT DE SOM



INSTRUCTION MANUAL/MANUAL DE USUARIO/
MODE D'EMPLOI/MANUAL DE INSTRUÇÕES

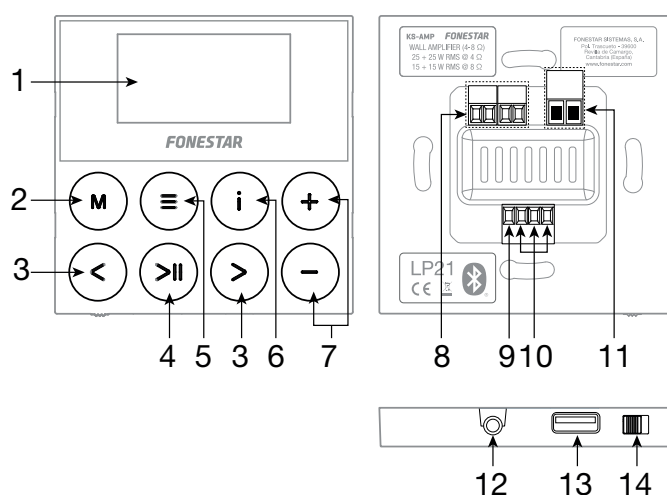
FONESTAR

DESCRIPTION

- All-in-one sound kit including ceiling speakers and wall amplifier.
- With multiple playback options: Bluetooth®/USB/MP3, FM tuner with 50 presets and two auxiliary inputs expand your possibilities and allow you to enjoy music played from any other device with line-level output.
- In addition, thanks to its 6" ceiling speakers, you can enjoy high-quality, powerful stereo sound without distortion.
- Allows you to set a maximum volume, setting a limit to ensure that the desired volume is not exceeded. In addition, it has a sleep timer and bass and treble equalization.
- This kit allows installation in a standard universal square box and easy integration into any space.
- Control via touch panel or via the included remote control.
- **KS-WALL:** amplifier with **KS-AMP** remote control + 2 KS-SPEAK speakers.
- **KS-WALL-4:** amplifier with **KS-AMP** remote control + 4 KS-SPEAK speakers.

CONTROLS AND FUNCTIONS

KS-AMP AMPLIFIER



- 1.- Information display.

NOTE: the display will turn off after 10 minutes without pressing any button on the amplifier or remote control. Press any button to turn it back on.

- 2.- **M**: press this button successively to switch between the different play modes: FM radio, USB, Bluetooth, AUX 1 and AUX 2.

- 3.- **</>**: in USB and Bluetooth mode, a short press of these buttons allows you to select the Previous/Next Song that is currently playing. A long press on these buttons allows you to Rewind/Fast Forward the playback.

In Radio Mode, a short press on these buttons switches to the next stored station. A long press selects the previous/next frequency with signal.

On the menu, it allows vertical navigation through the menu options.

- 4.- **>||**: in USB and Bluetooth mode, you can start and pause playback.

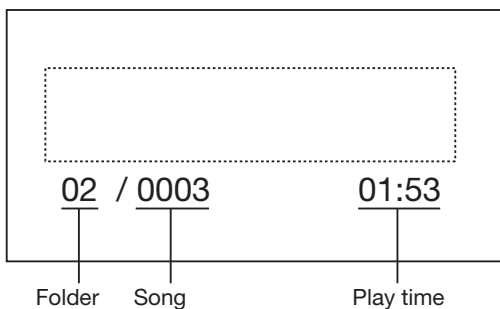
In radio mode, a short press turns audio output ON/OFF. And a long press automatically tunes and stores available FM stations.

On the menu, you can select the shaded option.

- 5.- **≡**: active mode menu access. To exit, press the button again or select EXIT on the menu. For more information, please refer to the MENU section.

- 6.- **i**: a long press of this button locks/unlocks the amplifier buttons.

In USB mode, press this button repeatedly to change the additional information to be shown on the display: OFF (no additional information shown), FILE (name of the song playing) and FOLDER (name of the folder containing the song playing).

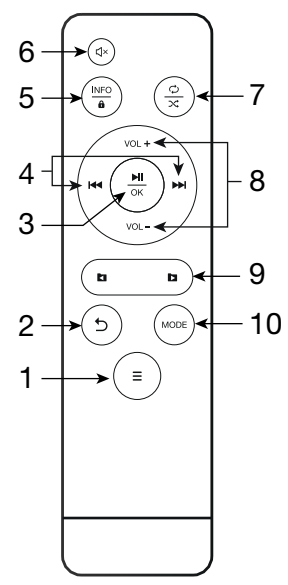


- OFF :
- FILE :
- FOLDER :

- 7.- **-/+**: amplifier volume controls.
You can change the value of the selected option on the menu.
- 8.- **L R**: connection terminals for speakers, euroblock connector. Connect a speaker to each channel (L, R) according to the polarity indicated. For more information, please refer to the **INSTALLATION** section.
- 9.- **FM**: antenna terminal, euroblock connector.
- 10.- **AUX 2**: stereo line level auxiliary input, euroblock connector.
- 11.- **~100-240 V**: connection terminals for 100-240 V AC power supply, euroblock connector.
- 12.- **AUX 1**: line level stereo auxiliary input, 3.5 mm stereo jack.
- 13.- **USB**: USB storage device connection port.
- 14.- **ON/OFF**: Switch to turn the amplifier on/off.
IMPORTANT: It is recommended that you turn off the device when it is not in use to save power and extend its life.

REMOTE CONTROL

- 1.- **☰**: active mode menu access. To exit, press the button again or select EXIT on the menu. For more information, please refer to the **MENU** section.
- 2.- **↶**: on the menu, returns to the previous menu.
- 3.- **▶II/OK**: in USB and Bluetooth mode, you can start and pause playback.
In radio mode, a short press turns audio output on/off. And a long press automatically tunes and stores available FM stations.
On the menu, select the shaded option.
- 4.- **◀◀ / ▶▶**: in USB and Bluetooth mode, a short press of these buttons allows you to select the previous/next song that is currently playing. Only in USB mode, a long press on these buttons allows you to rewind/fast Forward the playback.
In Radio Mode, a short press on these buttons switches to the previous/next stored station. A long press selects the previous/next frequency with signal.
In the menu, allows vertical navigation through the menu options.
- 5.- **INFO/🔒**: a long press of this button locks/unlocks the amplifier buttons.
In USB mode, press this button repeatedly to modify the additional information to be displayed on the screen: OFF (no additional information displayed), FILE (name of the song being played), and FOLDER (name of the folder containing the song being played).
- 6.- **🔊x**: turns the audio output on/off.

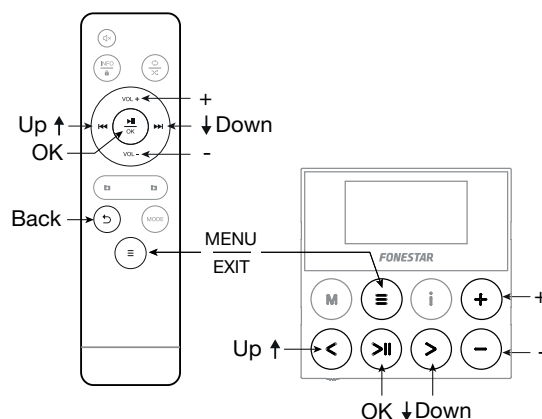


- 7.- : in USB mode, select play mode:
- OFF: plays all songs in order and stops.
 - REPEAT ONE: repeats 1 song.
 - REPEAT ALL: repeats everything.
 - RANDOM: plays all songs in random order.
 - REPEAT FOLDER: repeats all songs in a folder.
 - RANDOM FOLDER: plays all songs in a folder in random order.
- 8.- **VOL-/VOL+**: amplifier volume controls.
On the menu, it allows you to change the value of the selected option.
- 9.- : in USB mode, allows you to select the previous/next folder.
- 10.- **MODE**: press this button successively to switch between the different playback modes: FM radio, USB, Bluetooth, AUX 1 and AUX 2.

MENU

Each mode has its own options in addition to 4 options common to all modes.

Use the buttons on the amplifier or on the remote control to navigate through the menu.



OPTIONS COMMON TO ALL MODES OF OPERATION:

- : attenuates/reinforces bass frequencies.
- : attenuates/reinforces treble frequencies.
- : allows you to limit the maximum volume. The options are: 25%, 50%, 75%, or 100%.
- : allows you to program the automatic deactivation of the audio output after the specified time has elapsed: 30, 60, or 90 minutes, or OFF to disable this option. When this function is active, the display will count down the set minutes.

NOTE: this option does not turn off the equipment, it only disables the audio output, so the amplifier will remain on with the screen off.

- : select this option to exit the menu or press the button.

NOTE: one of the menus will display the

FM RADIO OPTIONS:

- : performs an automatic search for FM stations and stores them in memory.
- : pressing the buttons on the amplifier or on the remote control selects the previous/next frequency with signal.
- : allows you to move or delete stations stored in memory to customise the listing. You must have previously performed an automatic search (AUTOMEMORY or long press). Enter this menu option to view the list of stored stations. Select the memory position to be modified and choose the action you want to perform from the following:
 - : moves the station from a selected memory position to another position, swapping one for another. That is, if you changed station CH01 87.5 (source) to station CH04 100.5 (destination), at the end of action CH01 it will be 100.5 and CH04 87.5.
 - You have already selected the source location and now you have to select the destination memory location where you want to move the previously selected station.

- : deletes the station from the selected memory location. select the memory location (station) to be deleted. This action requires confirmation by selecting or if you selected it by mistake press (return) to return to the previous menu without deleting the station.

USB OPTIONS:

- : allows you to select a folder from the existing ones on the USB device.
- : allows you to select the playback mode:
 - : plays all songs in order and stops.
 - : repeats 1 song.
 - : repeats all.
 - : plays all songs in random order.
 - : repeats all songs in a folder.
 - : plays all songs in a folder in random order.

BLUETOOTH OPTION:

- : unpairs the connected device and remains in a standby state to be paired again.

OPTIONS AUX1 AND AUX 2:

(Does not have its own functions)

BASIC OPERATION

FM RADIO MODE

- Select FM RADIO mode on the amplifier.
- Perform an automatic tuning of the stations to start using this mode.
- Once finished, you can select the station you wish to listen to from among those already set.
- If you wish to customise the list of stations stored in memory, you can do so via the menu options.

BLUETOOTH MODE

- Select BLUETOOTH mode on the amplifier to pair your smartphone or tablet from which you want to send audio.
- On your smartphone/tablet, turn on Bluetooth mode. Finally, search for and select the **KS-AMP** device.
- Select the music on your smartphone/tablet and start playback.
- Make sure your smartphone/tablet is loud enough to be heard through the amplifier. This allows you to control the volume from the amplifier itself at a later time without having to operate any other equipment.

USB MODE

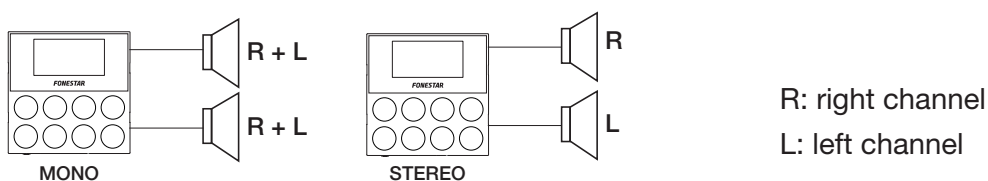
- Connect the USB device to activate USB mode directly or, if already connected, select USB mode by pressing the M (MODE) button repeatedly.
- Once the mode is activated, playback will start automatically.

AUX 1/AUX 2 MODE

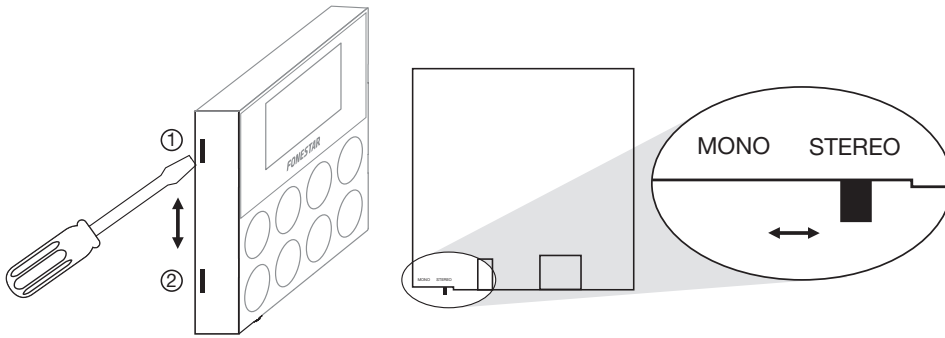
- Select AUX 1 (3.5 mm stereo jack plug, bottom panel of the amplifier) or AUX 2 (euroblock plug, rear panel of the amplifier) mode.
- Activate the audio device (player, mixer, PC, smartphone, etc.) to the AUX1 or AUX2 input and start playback on it.
- Make sure that the signal from your audio device is loud enough to be heard through the amplifier. This allows you to control the volume from the amplifier itself at a later time without having to operate any other equipment.

INSTALLATION

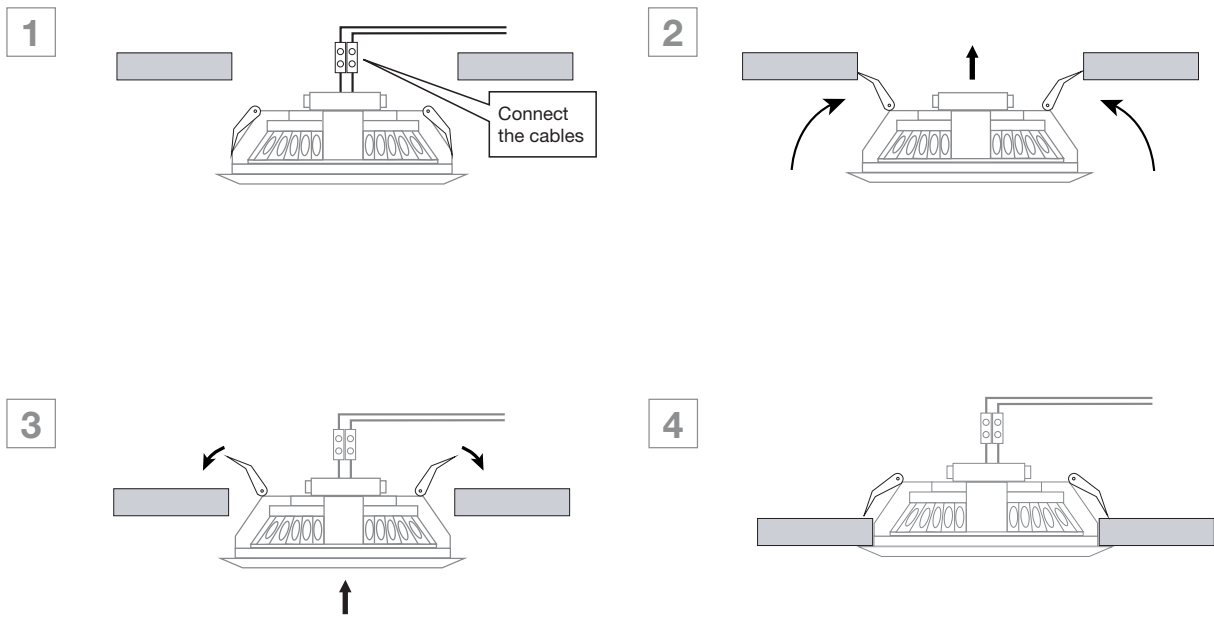
- 1.- Set the audio output to MONO or STEREO on the amplifier. If the audio output is set to MONO both channels will play the same signal (left and right channel mixed), but if the configuration is set to stereo the audio on the R and L channels will be different (R: right channel; L: left channel).



To do this, insert a flat-blade screwdriver into the slots on the side of the amplifier and pry the front and rear of the amplifier apart. On the back of the front you will find a small switch with 2 positions (MONO and STEREO), select the desired setting with the help of a flat screwdriver.

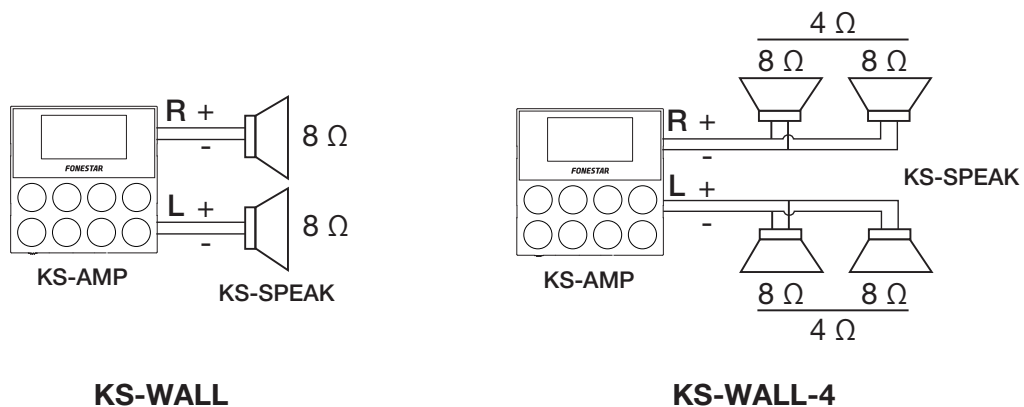


2.- Install the speakers in the ceiling taking into account the audio output configuration made in the previous step. 170 mm cutting hole.

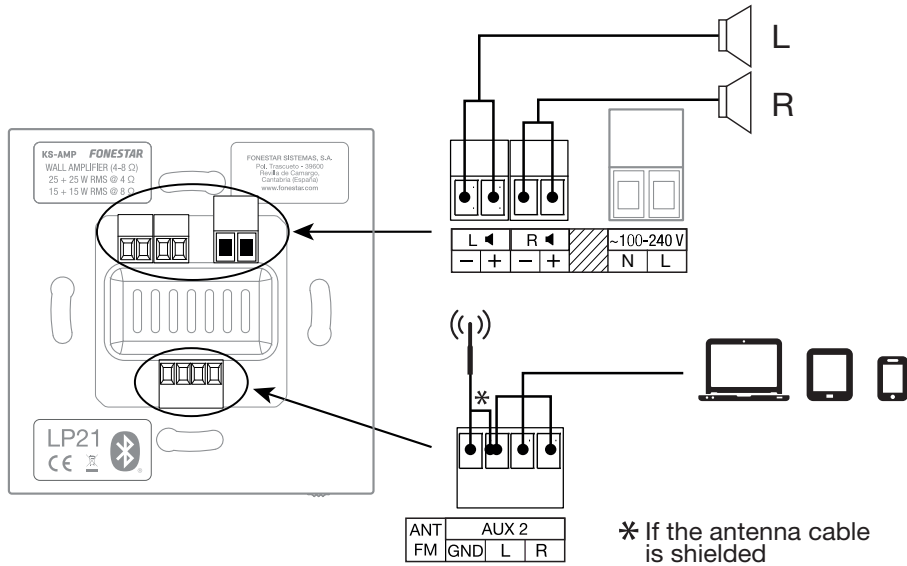


RECOMMENDATIONS FOR LOUDSPEAKER PLACEMENT

- If the audio setting is stereo:
 - never place speakers of different channels (R and L) in different rooms.
 - install the speakers in the appropriate position, relative to the listener’s position, depending on which amplifier output R or L they are connected to (R: right channel; L: left channel).
- For in-ceiling placement of stereo speakers, it is recommended to place the ceiling speakers at the same distance from each wall, along the length of the room and at least 2 metres apart to achieve the best stereo separation effect.
- If the loudspeakers are going to be within 2 metres of each other, consider placing one loudspeaker in that room and the other(s) in another room. In this case, it will be necessary to set the audio to MONO.

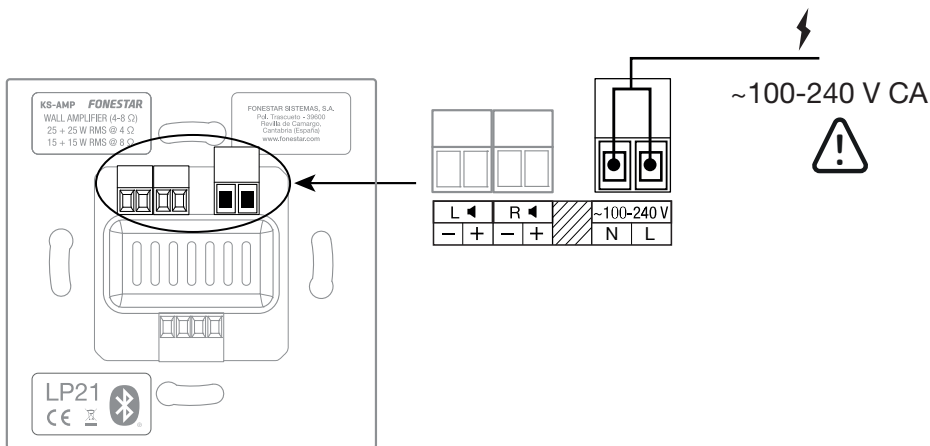


3.- Connect the antenna, the speakers and the AUX 2 input.



4.- Switch on the power supply to the amplifier.

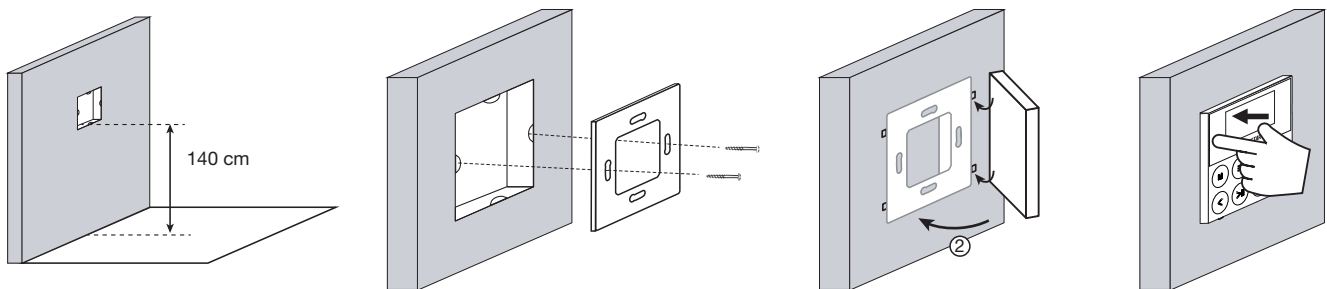
CAUTION!: be careful when connecting the power. First disconnect the power supply to the automatic circuit breaker to prevent shock.



5.- Install the amplifier in the wall box and attach the front panel.

An installation height of 140 cm from the ground to the base of the **KS-AMP** is recommended.

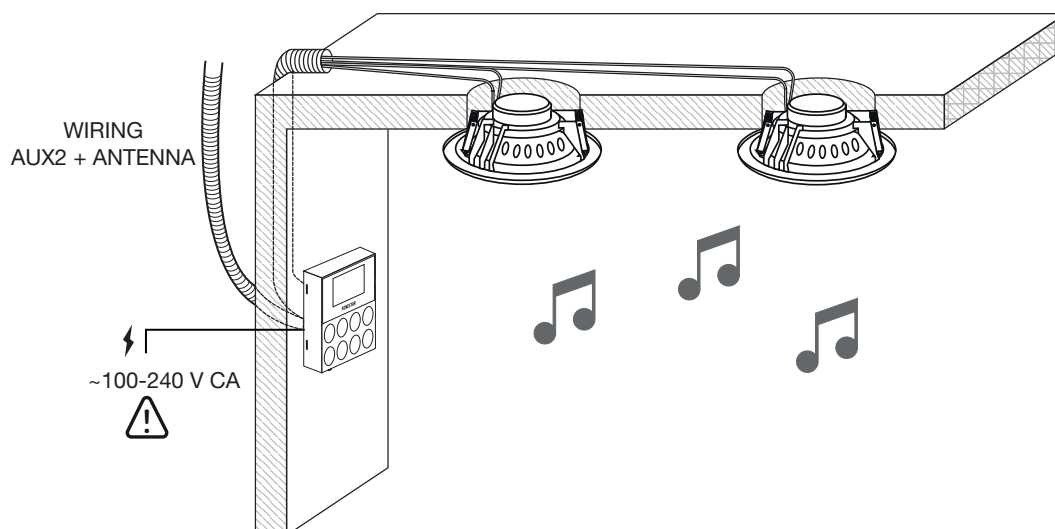
For wall mounting use the designated holes on the rear panel. Then attach the front panel. First fit the tabs on the right side and then press on the left side until both parts are fully interlocked.



NOTE: the amplifier is compatible with both round and square universal standard box. If you would require performing a surface installation, you can make use of FONESTAR's optional mod. FONESTAR **DOT-BOX-B**.

6.- Check operation to verify installation.

IMPORTANT: it is recommended to switch off the device when not in use to save energy and extend the life of the device.



TECHNICAL SPECIFICATIONS

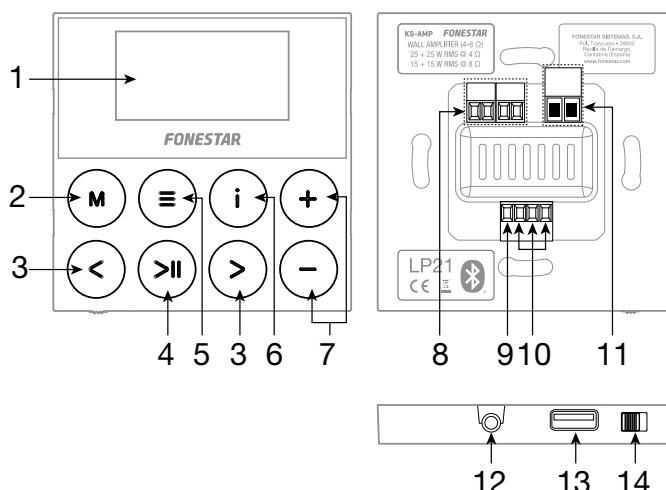
| | KS-WALL | KS-WALL-4 |
|---------------------|---|---|
| FEATURES | <p>Audio system: compact stereo amplifier with 2 x 6" ceiling speakers.</p> <p>Bluetooth receiver. USB player. FM tuner with 50 presets and autosearch. 2 auxiliary line level inputs. Autoplay, starts playback automatically when switched on. Memory of the last selected mode. Memory of playback mode (random, repeat). 2.15" LCD display of mode and playback information. Configurable maximum volume. Sleep timer. Bass and treble equalisation. Mono/stereo selector. Control via touch panel or via the included remote control. For standard universal square and round box.</p> | <p>Audio system: compact stereo amplifier with 4 x 6" ceiling speakers.</p> |
| POWER | 15 + 15 W RMS@8 Ω | 25 + 25 W RMS@4 Ω |
| SPEAKERS | <p>2 x 6" speakers @8 Ω ABS case Round aluminium grille without frame</p> | <p>4 x 6" speakers @8 Ω ABS case Round aluminium grille without frame</p> |
| INPUTS | <p>1 x aux line, 3.5 mm jack, 200 mV RMS 1 x aux line, euroblock, 200 mV RMS 1 x FM antenna</p> | |
| OUTPUTS | Loudspeakers: 4-8 Ω, euroblock | |
| POWER SUPPLY | 100-240 V AC | |
| DIMENSIONS | <p>Amplifier: Exterior: 83 x 83 x 42 mm depth Flush-mounting box: 45 x 45 x 31 mm depth Distance between screws: 60 mm Speakers: 186 mm Ø x 70 mm depth 170 mm cutting hole</p> | |
| ACCESSORIES | <p>2 x 5 m speaker wiring FM antenna cable Remote control Batteries included</p> | |
| OPTIONAL | DOT-BOX-B: surface-mounting box | |

DESCRIPCIÓN

- Kit de sonido (todo en uno) que incluye los altavoces de techo y el amplificador de pared.
- Con multitud de opciones de reproducción: Bluetooth®/USB/MP3, sintonizador FM con 50 presintonías y dos entradas auxiliares, ampliando sus posibilidades y permitiendo disfrutar de la música reproducida desde cualquier otro dispositivo con salida de nivel de línea.
- Además, gracias a sus altavoces de techo de 6", podrá disfrutar de un sonido estéreo de gran calidad y potencia sin distorsión.
- Permite configurar un volumen máximo, estableciendo un límite para asegurar que no se sobrepasa el volumen deseado. Además, tiene temporizador de apagado y ecualización de graves y agudos.
- Este kit permite su instalación en caja estándar universal cuadrada y una fácil integración en cualquier espacio.
- Control mediante panel táctil o mediante el mando a distancia incluido.
- **KS-WALL:** amplificador con mando a distancia **KS-AMP** + 2 altavoces KS-SPEAK.
- **KS-WALL-4:** amplificador con mando a distancia **KS-AMP** + 4 altavoces KS-SPEAK.

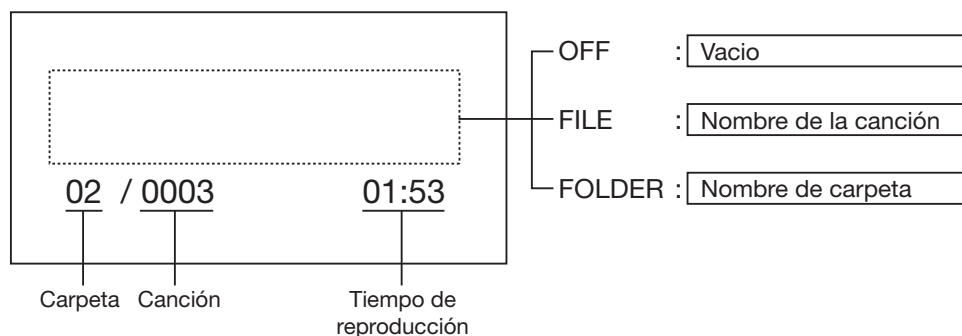
CONTROLES Y FUNCIONES

AMPLIFICADOR KS-AMP



- 1.- Pantalla de información.
NOTA: la pantalla se apagará trascurridos 10 minutos sin pulsar ningún botón del amplificador o del mando a distancia. Pulse cualquier botón para volver a encenderla de nuevo.
- 2.- **M**: pulse este botón sucesivamente para ir cambiando entre los diferentes modos de reproducción: radio FM, USB, Bluetooth, AUX 1 y AUX 2.
- 3.- **</>**: en modo USB y Bluetooth, una pulsación corta de estos botones permite seleccionar la canción anterior/siguiente a la que se esté reproduciendo en ese momento. Sólo en modo USB, una pulsación larga de estos botones permite realizar un retroceso/avance rápido de la reproducción.
En modo radio, una pulsación corta de estos botones selecciona la anterior/siguiente emisora memorizada. Una pulsación larga selecciona la anterior/siguiente frecuencia con señal.
En el menú, permite la navegación vertical por las opciones de menú.
- 4.- **>||**: en modo USB y Bluetooth, permite iniciar y pausar la reproducción.
En modo radio, una pulsación corta activa/desactiva la salida de audio. Y una pulsación larga sintoniza y almacena automáticamente las emisoras FM disponibles.
En el menú, permite seleccionar la opción sombreada.
- 5.- **≡**: acceso al menú del modo activo. Para salir, pulse de nuevo el botón o seleccione la opción EXIT del menú. Para más información vaya al apartado MENÚ.
- 6.- **i**: una pulsación larga de este botón bloquea/desbloquea los botones del amplificador.

En modo USB, pulse repetidamente este botón para modificar la información adicional a visualizar en la pantalla: OFF (no muestra información adicional), FILE (nombre de la canción en reproducción) y FOLDER (nombre de la carpeta que contiene la canción en reproducción).



7.- **-/+**: controles de volumen del amplificador.

En el menú, permiten modificar el valor de la opción seleccionada.

8.- **L R**: terminales de conexión para altavoces, conector euroblock. Conecte un altavoz a cada canal (L, R) respetando la polaridad indicada. Para más información vaya al apartado **INSTALACIÓN**.

9.- **FM**: terminal de antena, conector euroblock.

10.- **AUX 2**: entrada auxiliar estéreo de nivel de línea, conector euroblock.

11.- **~100-240 V**: terminales de conexión para alimentación 100-240 V CA, conector euroblock.

12.- **AUX 1**: entrada auxiliar estéreo de nivel de línea, jack 3'5 mm estéreo.

13.- **USB**: puerto de conexión de dispositivos de almacenamiento USB.

14.- **ON/OFF**: interruptor para encender/apagar el amplificador.

IMPORTANTE: se recomienda apagar el dispositivo cuando no esté en uso para ahorrar energía y prolongar su vida útil.

MANDO A DISTANCIA

1.- **☰**: acceso al menú del modo activo. Para salir, pulse de nuevo el botón o seleccione la opción EXIT del menú. Para más información vaya al apartado **MENÚ**.

2.- **↶**: en el menú, permite volver al menú anterior.

3.- **▶/OK**: en modo USB y Bluetooth, permite iniciar y pausar la reproducción.

En modo radio, una pulsación corta activa/desactiva la salida de audio. Y una pulsación larga sintoniza y almacena automáticamente las emisoras FM disponibles.

En el menú, permite seleccionar la opción sombreada.

4.- **◀/▶**: en modo USB y Bluetooth, una pulsación corta de estos botones permite seleccionar la canción anterior/siguiente a la que se esté reproduciendo en ese momento. Sólo en modo USB, una pulsación larga de estos botones permite realizar un retroceso/avance rápido de la reproducción.

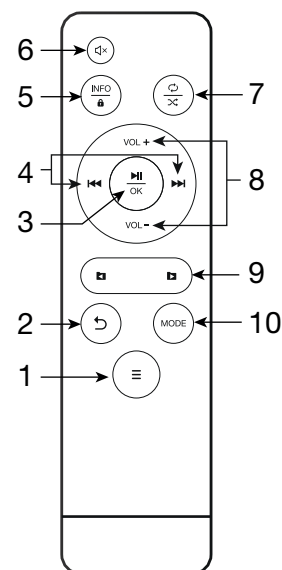
En modo radio, una pulsación corta de estos botones selecciona la anterior/siguiente emisora memorizada. Una pulsación larga selecciona la anterior/siguiente frecuencia con señal.

En el menú, permite la navegación vertical por las opciones de menú.

5.- **INFO/🔒**: una pulsación larga de este botón bloquea/desbloquea los botones del amplificador.

En modo USB, pulse repetidamente este botón para modificar la información adicional a visualizar en la pantalla: OFF (no muestra información adicional), FILE (nombre de la canción en reproducción) y FOLDER (nombre de la carpeta que contiene la canción en reproducción).

6.- **🔊**: activa/desactiva la salida de audio.

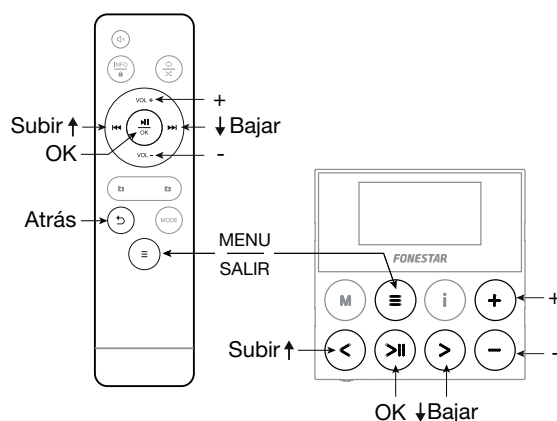


- 7.- **↻/∞**: en modo USB, selecciona el modo de reproducción:
 - OFF: reproduce todas las canciones en orden y se detiene.
 - REPEAT ONE: repite 1 canción.
 - REPEAT ALL: repite todo.
 - RANDOM: reproduce todas las canciones en orden aleatorio.
 - REPEAT FOLDER: repite todas las canciones de una carpeta.
 - RANDOM FOLDER: reproduce todas las canciones de una carpeta en orden aleatorio.
- 8.- **VOL-/VOL+**: controles de volumen del amplificador.
En el menú, permiten modificar el valor de la opción seleccionada.
- 9.- **◀/▶**: en modo USB, permite seleccionar la carpeta anterior/siguiente.
- 10.- **MODE**: pulse este botón sucesivamente para ir cambiando entre los diferentes modos de reproducción: radio FM, USB, Bluetooth, AUX 1 y AUX 2.

MENÚ

Cada uno de los modos dispone de opciones propias además de 4 opciones comunes a todos los modos.

Utilice los botones del amplificador o del mando a distancia para navegar por el menú.



OPCIONES COMUNES A TODOS LOS MODOS DE FUNCIONAMIENTO:

- **< BASS 00 >**: atenúa/refuerza las frecuencias graves.
- **< TREBLE 00 >**: atenúa/refuerza las frecuencias agudas.
- **< VOL MAX 100% >**: permite limitar el volumen máximo. Las opciones son: 25%, 50%, 75% o 100%.
- **< SLEEP OFF >**: permite programar la desactivación automática de la salida de audio trascurrido el tiempo indicado: 30, 60 o 90 minutos, o OFF para deshabilitar esta opción. Cuando esta función esté activa, la pantalla mostrará la cuenta atrás de los minutos configurados.

NOTA: esta opción no apaga el equipo, sólo desactiva la salida de audio por lo que el amplificador permanecerá encendido con la pantalla apagada.

- **< EXIT >**: seleccione esta opción para salir del menú o pulse el botón **≡**.

NOTA: en alguno de los menús aparecerá la opción **< BACK >** (volver) que le permitirá volver al menú anterior.

OPCIONES RADIO FM:

- **AUTO MEMORY >**: realiza una búsqueda automática de las emisoras FM y las almacena en la memoria.
- **< SCAN AUTO >**: pulsando los botones **</>** del amplificador o **◀▶** del mando a distancia selecciona la anterior/siguiente frecuencia con señal.
- **< EDIT CH >**: permite mover o eliminar las emisoras almacenadas en memoria para personalizar el listado. Previamente deberá haber realizado una búsqueda automática (AUTOMEMORY o pulsación larga de **>||**). Entre en esta opción del menú para visualizar el listado de las emisoras almacenadas. Seleccione la posición de memoria a modificar y elija la acción que quiere realizar entre las siguientes:
 - **MOVE >** (mover): mueve la emisora de una posición de memoria seleccionada a otra posición, intercambiando una por otra. Es decir, si cambio la emisora CH01 87.5 (origen) por la CH04 100.5 (destino), al finalizar la acción CH01 será 100.5 y CH04 87.5.
 - Ya tiene seleccionada la posición origen y ahora deberá seleccionar la posición de memoria destino donde desee mover la emisora seleccionada previamente.

- (eliminar): elimina la emisora de la posición de memoria seleccionada. Seleccione la posición de memoria (emisora) a eliminar. Esta acción requiere confirmación seleccionando o si lo seleccionó por error pulse (volver) para volver al menú anterior sin eliminar la emisora.

OPCIONES USB:

- : permite seleccionar una carpeta de las existentes en el dispositivo USB.
- : permite seleccionar el modo de reproducción:
 - : reproduce todas las canciones en orden y se detiene.
 - : repite 1 canción.
 - : repite todo.
 - : reproduce todas las canciones en orden aleatorio.
 - : repite todas las canciones de una carpeta.
 - : reproduce todas las canciones de una carpeta en orden aleatorio.

OPCIÓN BLUETOOTH:

- : desvincula el dispositivo conectado y permanece en estado de espera para ser vinculado de nuevo.

OPCIONES AUX1 Y AUX 2:

(No tiene funciones propias)

FUNCIONAMIENTO BÁSICO

MODO RADIO FM

- Seleccione el modo RADIO FM en el amplificador.
- Realice una sintonización automática de las emisoras para empezar a utilizar este modo.
- Una vez haya terminado podrá seleccionar la emisora que desee escuchar entre las sintonizadas.
- Si desea personalizar el listado de emisoras almacenadas en memoria podrá hacerlo mediante las opciones de menú.

MODO BLUETOOTH

- Seleccione el modo BLUETOOTH en el amplificador para vincular su smartphone o tablet desde la que desee enviar audio.
- En su smartphone/tablet, active el modo bluetooth. Por último, busque y seleccione el dispositivo **KS-AMP**.
- Seleccione la música en su smartphone/tablet e inicie la reproducción.
- Asegúrese de que su smartphone/tablet tiene un volumen suficiente para poder ser escuchado a través del amplificador. De este modo, podrá controlar el volumen desde el propio amplificador con posterioridad sin tener que manipular ningún otro equipo.

MODO USB

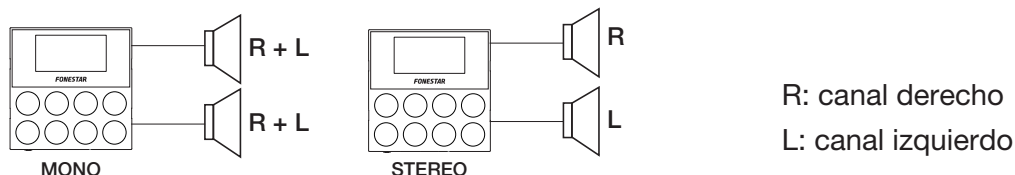
- Conecte el dispositivo USB para activar el modo USB directamente o, si ya está conectado, seleccione el modo USB pulsando repetidamente el botón M (MODE).
- Una vez activado el modo la reproducción se iniciará automáticamente.

MODO AUX 1/AUX 2

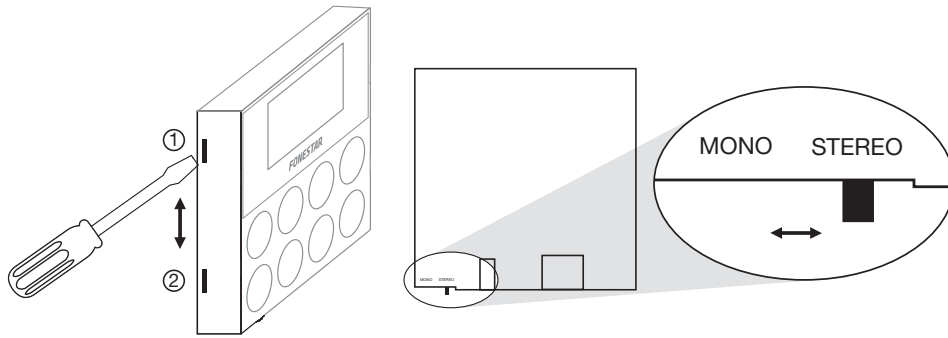
- Seleccione el modo AUX 1 (conector jack 3'5 mm estéreo, panel inferior del amplificador) o AUX 2 (conector euroblock, panel trasero del amplificador).
- Active el dispositivo de audio (reproductor, mesa de mezclas, PC, smartphone, etc.) a la entrada AUX1 o AUX2 e inicie la reproducción en el mismo.
- Asegúrese de que la señal de su dispositivo de audio tiene un volumen suficiente para poder ser escuchado a través del amplificador. De este modo, podrá controlar el volumen desde el propio amplificador con posterioridad sin tener que manipular ningún otro equipo.

INSTALACIÓN

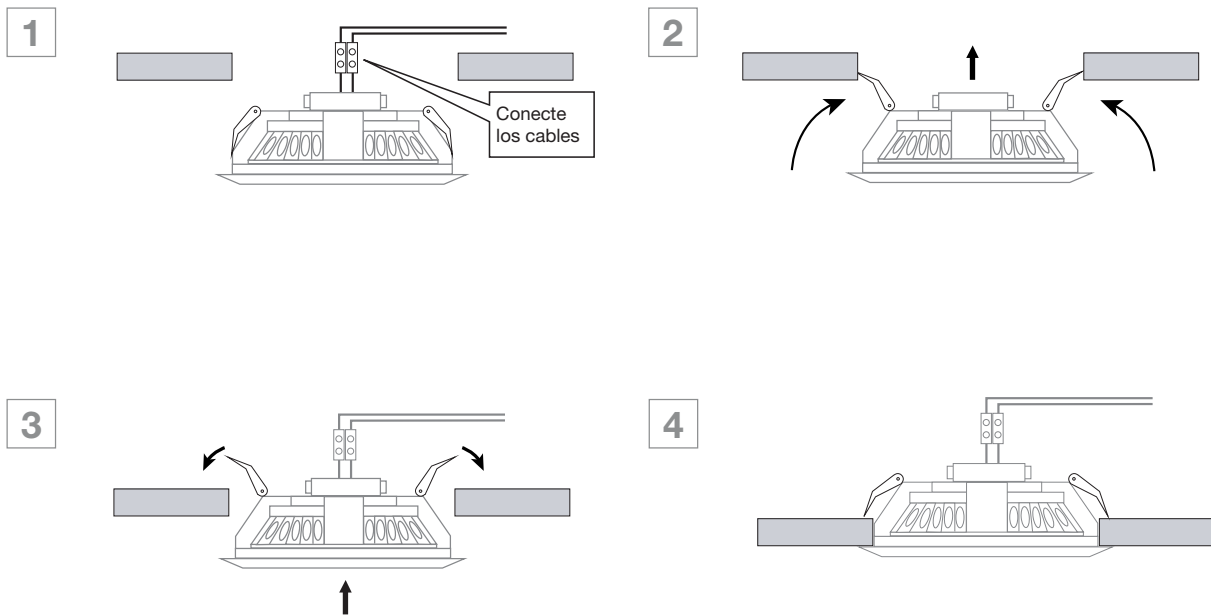
- 1.- Configure la salida de audio como mono o estéreo en el amplificador. Si se configura la salida de audio como mono ambos canales reproducirán la misma señal (el canal derecho e izquierdo mezclados), pero si la configuración es estéreo el audio en los canales R y L será diferente (R: canal derecho; L: canal izquierdo).



Para ello, introduzca un destornillador plano en las ranuras que se encuentran en el lateral del amplificador y haga palanca para separar el frontal de la trasera. En la parte posterior del frontal encontrará un pequeño interruptor con 2 posiciones (MONO y STEREO), seleccione la configuración deseada con ayuda de un destornillador plano.

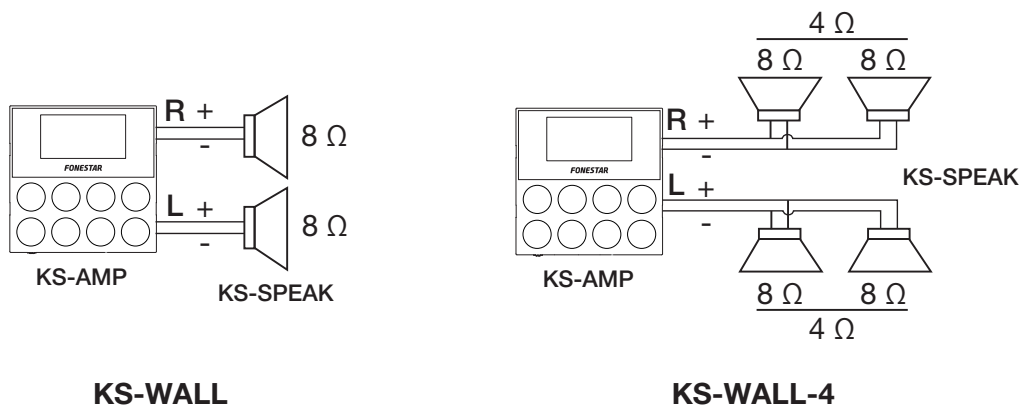


2.- Instale los altavoces en el techo teniendo en cuenta la configuración de la salida de audio realizada en el paso previo. Orificio de corte 170 mm.

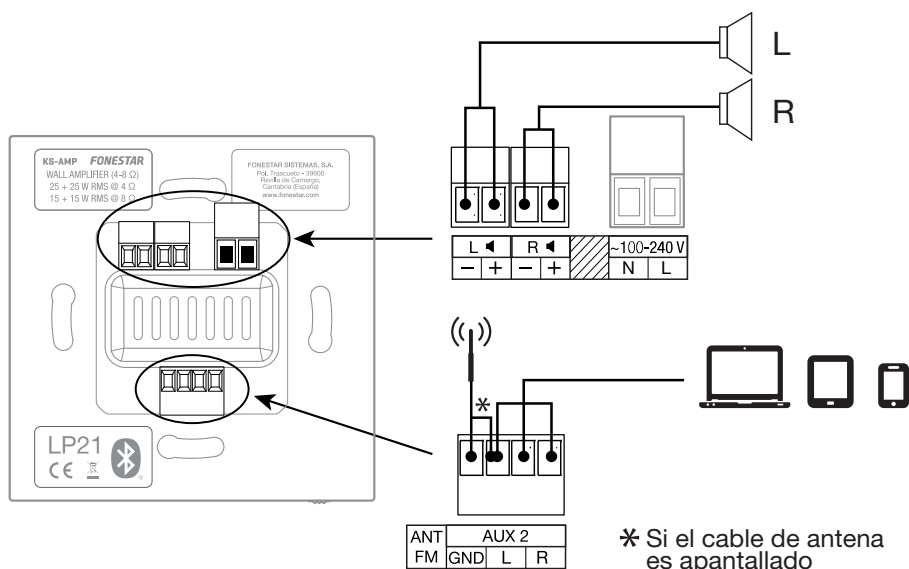


RECOMENDACIONES PARA COLOCAR LOS ALTAVOCES

- Si la configuración de audio es estéreo:
 - nunca coloque los altavoces de canales diferentes (R y L) en distintas estancias.
 - instale los altavoces en la posición adecuada, respecto a la posición del oyente, según la salida R o L del amplificador a la que estén conectados (R: canal derecho; L: canal izquierdo).
- Para la colocación en el techo de altavoces estéreo se recomienda colocar los altavoces de techo a la misma distancia de cada pared, a lo largo de la habitación y al menos a 2 metros de distancia entre ellos para obtener el mejor efecto de separación estéreo.
- Si los altavoces van a estar a menos de 2 metros de distancia entre sí, considere la posibilidad de colocar un único altavoz en esa estancia y el otro/otros en otra estancia. En este caso, será necesario configurar el audio MONO.

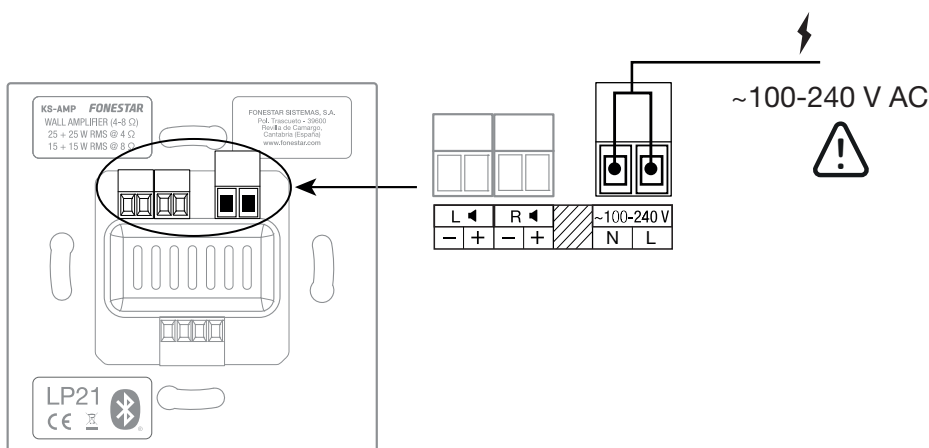


3.- Conecte la antena, los altavoces y la entrada AUX 2.



4.- Conecte la alimentación del amplificador.

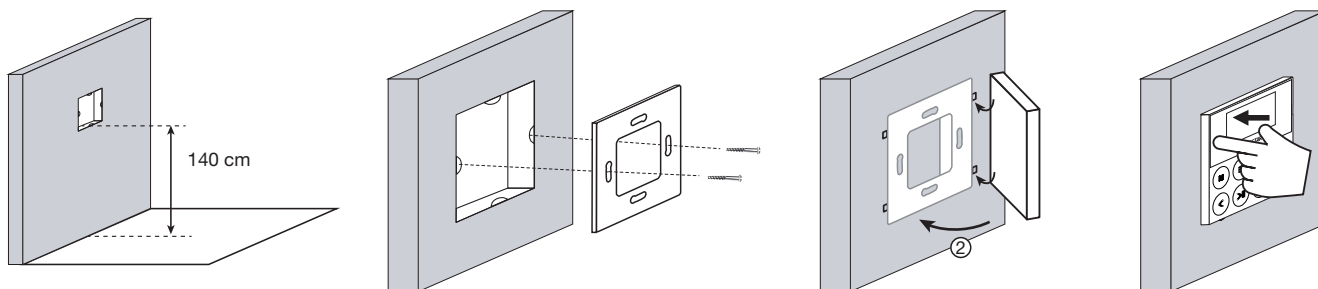
¡PRECAUCIÓN! tenga cuidado al conectar la alimentación. Desconecte primero la corriente del automático para evitar descargas.



5.- Instale el amplificador en la caja de pared y coloque el panel frontal.

Se recomienda una altura de instalación de 140 cm desde el suelo hasta la base del **KS-AMP**.

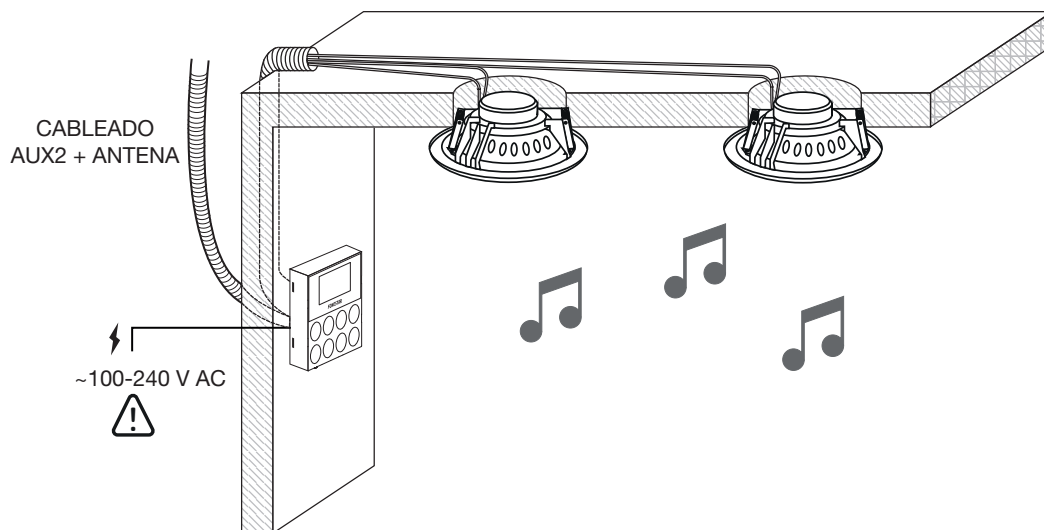
Para la instalación en pared utilice los orificios destinados para ello del panel trasero. A continuación, coloque el panel frontal. Primero encaje las pestañas del lado derecho y después presione en el lado izquierdo hasta que estén completamente encajadas ambas partes.



NOTA: el amplificador es compatible con caja estándar universal cuadrada o redonda. Si necesita hacer una instalación de superficie también puede utilizar el modelo FONESTAR **DOT-BOX-B**.

6.- Compruebe el funcionamiento para verificar la instalación.

IMPORTANTE: se recomienda apagar el dispositivo cuando no esté en uso para ahorrar energía y prolongar la vida útil.



ESPECIFICACIONES TÉCNICAS

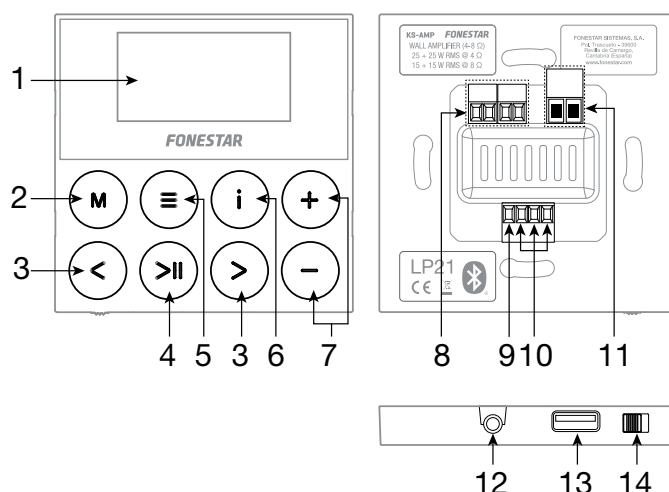
| | KS-WALL | KS-WALL-4 |
|------------------------|---|--|
| CARACTERÍSTICAS | Kit de sonido: amplificador estéreo compacto con 2 altavoces de techo de 6". Receptor Bluetooth. Reproductor USB. Sintonizador FM con 50 presintonías y búsqueda automática. 2 entradas auxiliares de nivel de línea. Autoplay, comienza la reproducción automáticamente al encender. Memoria del último modo seleccionado. Memoria del modo de reproducción (random, repeat). Pantalla LCD 2,15" de información de modo y reproducción. Volumen máximo configurable. Temporizador de apagado. Ecualización de graves y agudos. Selector mono/estéreo. Control mediante botones táctiles o mediante el mando a distancia incluido. Para caja estándar universal cuadrada y redonda. | Kit de sonido: amplificador estéreo compacto con 4 altavoces de techo de 6". |
| POTENCIA | 15 + 15 W RMS@8 Ω | 25 + 25 W RMS@4 Ω |
| ALTAVOCES | 2 altavoces 6"@8 Ω Cuerpo ABS Rejilla redonda de aluminio sin marco | 4 altavoces 6"@8 Ω Cuerpo ABS Rejilla redonda de aluminio sin marco |
| ENTRADAS | 1 x línea auxiliar, jack 3'5 mm, 200 mV RMS 1 x línea auxiliar, euroblock, 200 mV RMS 1 x antena FM | |
| SALIDAS | Altavoces: 4-8 Ω, euroblock | |
| ALIMENTACIÓN | 100-240 V CA | |
| MEDIDAS | Amplificador: Exteriores: 83 x 83 x 39 mm fondo Montaje: 47 x 47 x 27 mm fondo Distancia entre tornillos: 60 mm Altavoces: 186 mm Ø x 70 mm fondo Orificio de corte: 170 mm | |
| ACCESORIOS | Cableado de altavoz 2 x 5 m Cable de antena FM Mando a distancia Pilas incluidas | |
| OPCIONAL | DOT-BOX-B: caja para montaje en superficie | |

DESCRIPTION

- Kit de sonorisation (tout-en-un) comprenant des haut-parleurs de plafond et un amplificateur mural.
- Avec une multitude d'options de lecture : Bluetooth®/USB/MP3, le tuner FM avec 50 présélections et deux entrées auxiliaires élargissent vos possibilités et vous permettent de profiter de la musique jouée à partir de tout autre appareil doté d'une sortie de niveau ligne.
- De plus, grâce à ses haut-parleurs de plafond de 6", vous pouvez profiter d'un son stéréo puissant et de haute qualité, sans distorsion.
- Permet de définir un volume maximal, en fixant une limite pour s'assurer que le volume souhaité n'est pas dépassé. Il dispose également d'une minuterie de mise en veille et d'une égalisation des basses et des aigus.
- Ce kit permet une installation dans une boîte carrée universelle standard et une intégration facile dans n'importe quel espace.
- Contrôle via le panneau tactile ou via la télécommande incluse.
- **KS-WALL**: amplificateur avec commande à distance **KS-AMP** + 2 haut-parleurs KS-SPEAK.
- **KS-WALL-4**: amplificateur avec commande à distance **KS-AMP** + 4 haut-parleurs KS-SPEAK.

CONTRÔLES ET FONCTIONS

AMPLIFICATEUR KS-AMP



- 1.- Écran d'information.

N.B. : l'écran s'éteint au bout de 10 minutes sans que vous ayez appuyé sur une touche de l'amplificateur ou de la télécommande. Appuyez sur n'importe quel bouton pour le rallumer.

- 2.- **M** : appuyez successivement sur ce bouton pour passer d'un mode de lecture à l'autre : radio FM, USB, Bluetooth, AUX 1 et AUX 2.

- 3.- **</>** : en mode USB et Bluetooth, une courte pression sur ces boutons permet de sélectionner le morceau précédent/suivant le morceau en cours de lecture. En mode USB uniquement, une pression longue sur ces boutons permet une lecture rapide en avant/en arrière.

En mode radio, une pression courte sur ces boutons permet changer à la station antérieure mémorisée. Une pression longue permet de sélectionner la fréquence précédente/suivante avec le signal.

Dans le menu, permet la navigation verticale dans les options du menu.

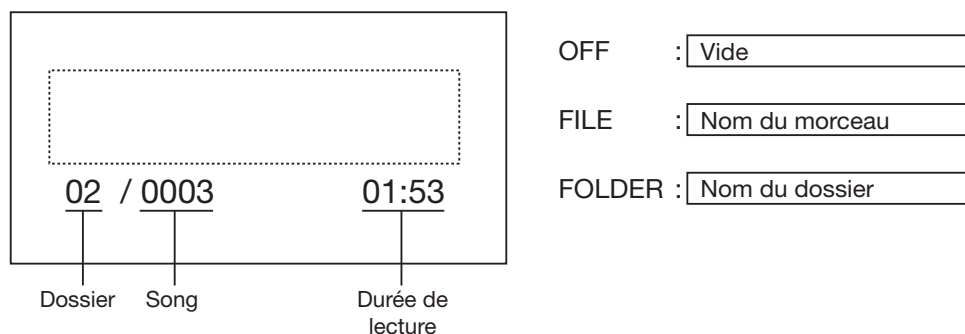
- 4.- **>||** : en mode USB et Bluetooth, permet de démarrer et de mettre en pause la lecture.

En mode radio, une courte pression active/désactive la sortie audio. Et une pression longue permet de syntoniser et de mémoriser automatiquement les stations FM disponibles.

Dans le menu, sélectionnez l'option ombrée.

- 5.- **≡** : accès au menu du mode actif. Pour quitter, appuyez à nouveau sur la touche ou sélectionnez l'option EXIT dans le menu. Pour plus d'informations, consultez la section MENU.

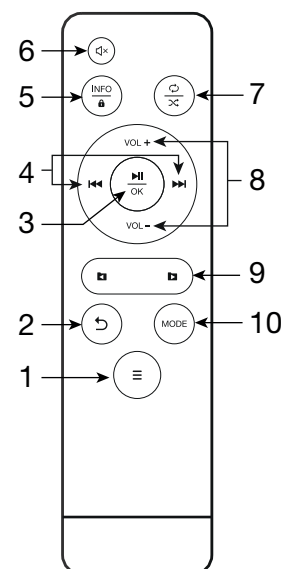
- 6.- **i** : une pression longue sur ce bouton verrouille/déverrouille les boutons de l'amplificateur. En mode USB, appuyez sur cette touche à plusieurs reprises pour modifier les informations supplémentaires qui s'affichent à l'écran : OFF (aucune information supplémentaire n'est affichée), FILE (nom du morceau en cours de lecture) et FOLDER (nom du dossier contenant le morceau en cours de lecture).



- 7.- **-/+** : contrôles du volume de l'amplificateur. Dans le menu, ils vous permettent de modifier la valeur de l'option sélectionnée.
- 8.- **L R** : bornes de connexion pour haut-parleurs, connecteur euroblock. Connectez un haut-parleur à chaque canal (L, R) en respectant la polarité indiquée. Pour plus d'informations, consultez la section INSTALLATION.
- 9.- **FM** : borne d'antenne, connecteur euroblock.
- 10.- **AUX 2** : entrée auxiliaire de niveau ligne stéréo, connecteur eurobloc.
- 11.- **~100-240 V** : bornes de connexion pour l'alimentation 100-240 V CA, connecteur euroblock.
- 12.- **AUX 1** : entrée auxiliaire de niveau ligne stéréo, 3'5 mm stéréo.
- 13.- **USB** : port de connexion de dispositifs de stockage USB.
- 14.- **ON/OFF** : interrupteur marche/arrêt de l'amplificateur.
- IMPORTANT** : il est recommandé d'éteindre l'appareil lorsqu'il n'est pas utilisé afin d'économiser de l'énergie et de prolonger la durée de vie de l'appareil.

TÉLÉCOMMANDE

- 1.- **≡** : accès au menu du mode actif. Pour quitter, appuyez à nouveau sur la touche ou sélectionnez l'option EXIT dans le menu. Pour plus d'informations, consultez la section MENU.
- 2.- **↶** : dans le menu, permet de revenir au menu précédent.
- 3.- **▶I/OK** : en mode USB et Bluetooth, permet de démarrer et de mettre en pause la lecture. En mode radio, une courte pression active/désactive la sortie audio. Et une pression longue permet de syntoniser et de mémoriser automatiquement les stations FM disponibles. Dans le menu, sélectionnez l'option ombrée.
- 4.- **◀◀ / ▶▶** : en mode USB et Bluetooth, une courte pression sur ces boutons permet de sélectionner le morceau précédent/suivant le morceau en cours de lecture. En mode USB uniquement, une pression longue sur ces boutons permet une lecture rapide en avant/en arrière. En mode radio, une pression courte sur ces boutons permet changer à la station antérieure mémorisée. Une pression longue permet de sélectionner la fréquence précédente/suivante avec le signal. Dans le menu, permet la navigation verticale dans les options du menu.

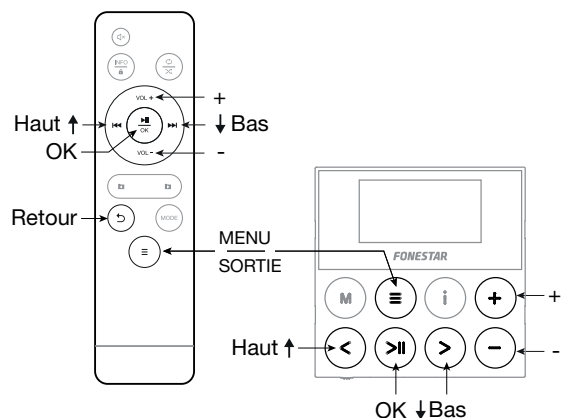


- 5.- **INFO/** : une pression longue sur ce bouton verrouille/déverrouille les boutons de l'amplificateur.
En mode USB, appuyez plusieurs fois sur ce bouton pour modifier les informations supplémentaires à afficher à l'écran : OFF (aucune information supplémentaire n'est affichée), FILE (nom du morceau en cours de lecture) et FOLDER (nom du dossier contenant le morceau en cours de lecture).
- 6.- **🔊** : active/désactive la sortie audio.
- 7.- **🔄/⌘** : en mode USB, sélectionnez le mode de lecture :
- OFF : lit toutes les chansons dans l'ordre et s'arrête.
- REPEAT ONE : répète 1 chanson.
- REPEAT ALL : répète tout.
- RANDOM : lit toutes les chansons de manière aléatoire.
- REPEAT FOLDER : répète toutes les chansons d'un dossier.
- RANDOM FOLDER : lit toutes les chansons d'un dossier dans un ordre aléatoire.
- 8.- **VOL-/VOL+** : contrôles du volume de l'amplificateur.
Dans le menu, ils vous permettent de modifier la valeur de l'option sélectionnée.
- 9.- **◀/▶** : en mode USB, permet de sélectionner le dossier précédent/suivant.
- 10.- **MODE** : appuyez successivement sur ce bouton pour passer d'un mode de lecture à l'autre : radio FM, USB, Bluetooth, AUX 1 et AUX 2.

MENU

Chaque mode possède ses propres options en plus de 4 options communes à tous les modes.

Utilisez les boutons de l'amplificateur ou de la télécommande pour naviguer dans le menu.



OPTIONS COMMUNES À TOUS LES MODES DE FONCTIONNEMENT :

- **< BASS 00 >** : atténue/renforce les fréquences graves.
 - **< TREBLE 00 >** : atténue/renforce les fréquences aigus.
 - **< VOL MAX 100% >** : limite le volume maximal. Les options sont : 25%, 50%, 75% ou 100%.
 - **< SLEEP OFF >** : permet de programmer la désactivation automatique de la sortie audio après l'écoulement du temps spécifié : 30, 60 ou 90 minutes, ou OFF pour désactiver cette option. Lorsque cette fonction est active, l'afficheur effectue un compte à rebours des minutes programmées.
- N.B.** : cette option n'éteint pas l'équipement, elle ne désactive que la sortie audio, de sorte que l'amplificateur restera allumé même si l'écran est éteint.
- **< EXIT >** : sélectionnez cette option pour quitter le menu ou appuyez sur le bouton **☰**.

N.B. : dans l'un des menus, vous verrez l'option **< BACK >** (retour) qui vous permettra de revenir au menu précédent.

OPTIONS RADIO FM :

- **< AUTO MEMORY >** : effectue une recherche automatique de stations FM et les enregistre dans la mémoire.
- **< SCAN AUTO >** : en appuyant sur les boutons **</>** sur l'amplificateur ou **⏮/⏭** de la télécommande permet de sélectionner la fréquence précédente/suivante avec le signal.
- **< EDIT CH >** : permet de déplacer ou de supprimer les stations stockées en mémoire pour personnaliser la liste. Vous devez avoir préalablement effectué une recherche automatique (AUTOMEMORY ou appui long **>>**). Entrez dans cet élément de menu pour afficher la liste des stations mémorisées. Sélectionnez l'emplacement mémoire à modifier et choisissez l'action à effectuer parmi les suivantes :

- (move) : déplace la station d'un emplacement mémoire sélectionné vers un autre emplacement, en échangeant un emplacement contre un autre. C'est-à-dire que si je change la station CH01 87.5 (source) en CH04 100.5 (destination), à la fin de l'action, CH01 sera 100.5 et CH04 87.5.
- Vous avez déjà sélectionné l'emplacement source et vous devez maintenant sélectionner l'emplacement mémoire de destination où vous souhaitez déplacer la station précédemment sélectionnée.
- (supprimer) : supprime la station de l'emplacement mémoire sélectionné. sélectionnez l'emplacement mémoire (station) à supprimer. Cette action nécessite une confirmation en sélectionnant ou, si elle est sélectionnée par erreur, appuyez sur (back) pour revenir au menu précédent sans effacer la station.

OPTIONS USB :

- : sélectionnez un dossier parmi les dossiers existants sur le périphérique USB.
- : permet de sélectionner le mode de lecture :
 - : lit toutes les chansons dans l'ordre et s'arrête.
 - : répéter 1 chanson.
 - : répéter tout.
 - : lit toutes les chansons de manière aléatoire.
 - : répète toutes les chansons d'un dossier.
 - : lit toutes les chansons d'un dossier dans un ordre aléatoire.

OPTION BLUETOOTH :

- : désaccouple le dispositif connecté et reste en état d'attente pour être à nouveau jumelé.

OPTIONS AUX1 ET AUX 2 :

(Sans fonction)

FONCTIONNEMENT DE BASE

MODE RADIO FM

- Sélectionnez le mode FM RADIO sur l'amplificateur.
- Effectuez un réglage automatique des stations pour commencer à utiliser ce mode.
- Une fois que vous avez terminé, vous pouvez sélectionner la station que vous voulez écouter parmi celles déjà syntonisées.
- Si vous souhaitez personnaliser la liste des stations stockées en mémoire, vous pouvez le faire via les options du menu.

MODE BLUETOOTH

- Sélectionnez le mode BLUETOOTH sur l'amplificateur pour relier votre smartphone ou tablette à partir duquel vous voulez envoyer de l'audio.
- Sur votre smartphone/tablette, activez le mode bluetooth. Enfin, trouvez et sélectionnez l'appareil **KS-AMP**.
- Sélectionnez la musique sur votre smartphone/tablette et lancez la lecture.
- Assurez-vous que votre smartphone/tablette est suffisamment fort pour être entendu par l'amplificateur. De cette façon, vous pouvez contrôler ultérieurement le volume à partir de l'amplificateur lui-même, sans avoir à manipuler d'autres équipements.

MODE USB

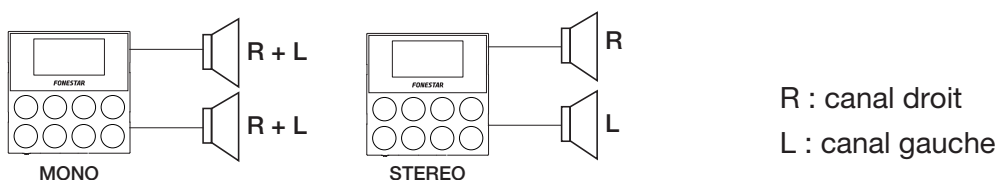
- Connectez le périphérique USB pour activer directement le mode USB ou, s'il est déjà connecté, sélectionnez le mode USB en appuyant plusieurs fois sur le bouton M (MODE).
- Une fois le mode activé, la lecture commence automatiquement.

MODE AUX 1/AUX 2

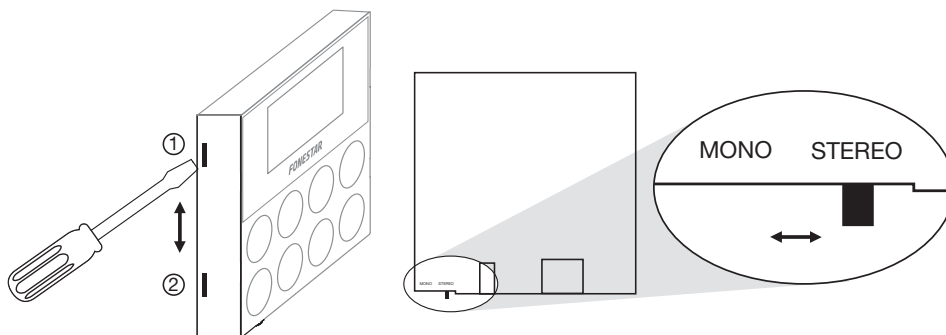
- Sélectionnez le mode AUX 1 (fiche jack stéréo 3,5 mm, panneau inférieur de l'amplificateur) ou AUX 2 (fiche euroblock, panneau arrière de l'amplificateur).
- Activez le périphérique audio (lecteur, mixeur, PC, smartphone, etc.) sur l'entrée AUX1 ou AUX2 et lancez la lecture sur celui-ci.
- Assurez-vous que votre signal de votre appareil audio est suffisamment fort pour être entendu par l'amplificateur. De cette façon, vous pouvez contrôler ultérieurement le volume à partir de l'amplificateur lui-même, sans avoir à manipuler d'autres équipements.

INSTALLATION

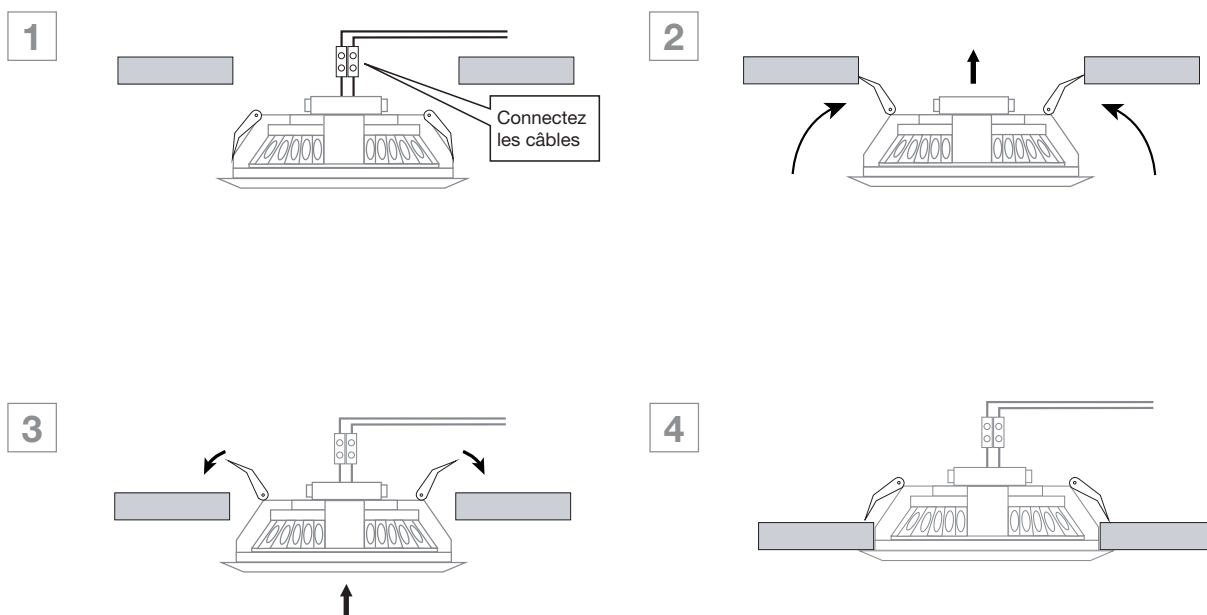
- 1.- Réglez la sortie audio sur mono ou stéréo sur l'amplificateur. Si la sortie audio est réglée sur mono, les deux canaux diffuseront le même signal (canal gauche et droit mélangés), mais si la configuration est réglée sur stéréo, l'audio sur les canaux R et L sera différent (R : canal droit; L : canal gauche).



Pour ce faire, insérez un tournevis à lame plate dans les fentes situées sur le côté de l'amplificateur et faites levier pour séparer l'avant et l'arrière de l'amplificateur. Au dos de la façade, vous trouverez un petit interrupteur à 2 positions (MONO et STEREO), sélectionnez le réglage souhaité à l'aide d'un tournevis plat.

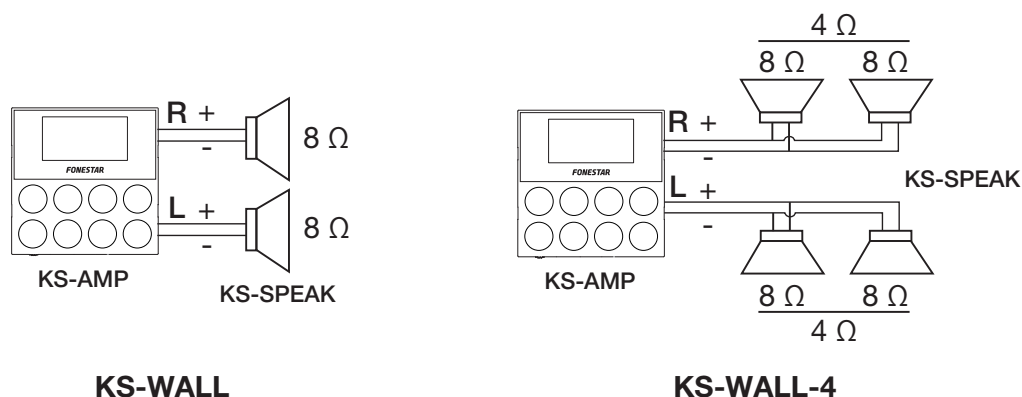


2.- Installez les enceintes dans le plafond en tenant compte de la configuration de la sortie audio réalisée à l'étape précédente. Diamètre de coupe 170 mm.

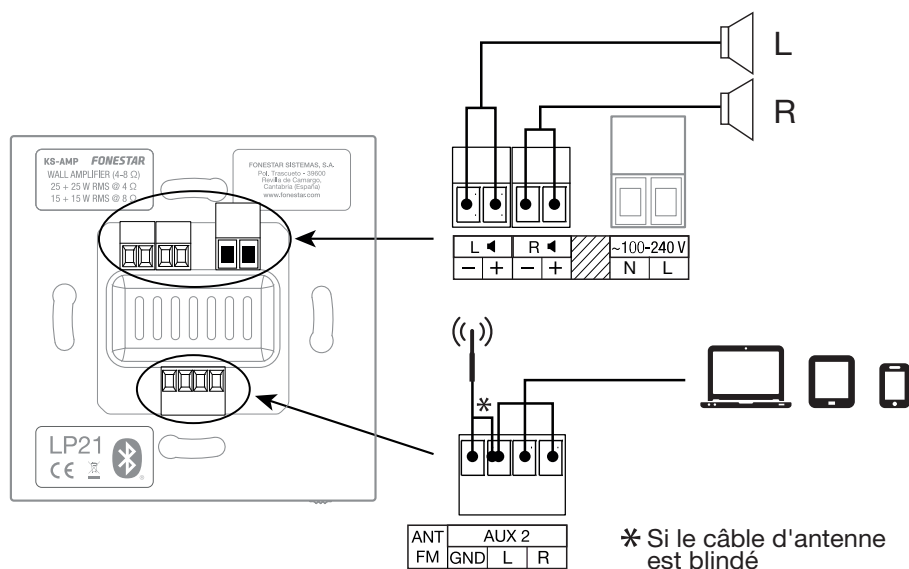


RECOMMANDATIONS POUR LE PLACEMENT DES HAUT-PARLEURS

- Si la configuration audio est stéréo :
 - ne placez jamais des enceintes de canaux différents (R et L) dans des pièces différentes.
 - installez les enceintes dans la position appropriée, par rapport à la position de l'auditeur, en fonction de la sortie R ou L de l'amplificateur à laquelle elles sont connectées (R : canal droit ; L : canal gauche).
- Pour le placement des enceintes stéréo dans le plafond, il est recommandé de placer les enceintes de plafond à la même distance de chaque mur, à travers la pièce et à au moins 2 mètres de distance pour obtenir le meilleur effet de séparation stéréo.
- Si les haut-parleurs sont situés à moins de 2 mètres les uns des autres, envisagez de placer un haut-parleur dans cette pièce et le ou les autres dans une autre pièce. Dans ce cas, il sera nécessaire de régler l'audio sur MONO.

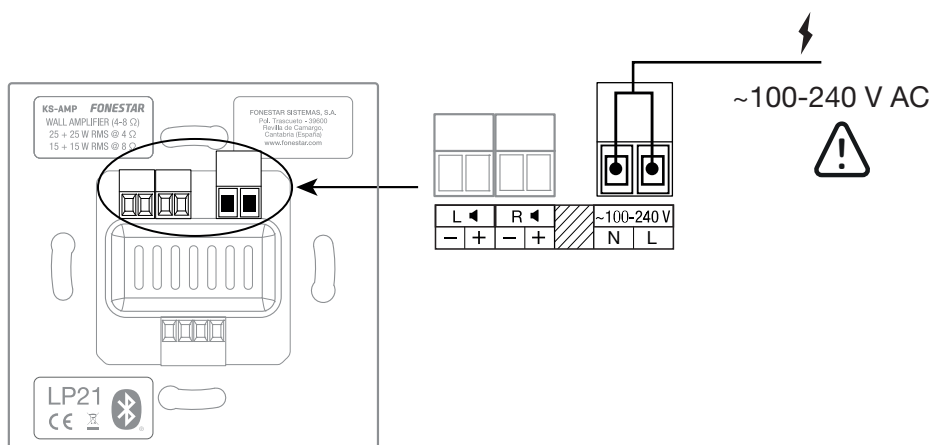


3.- Connectez l'antenne, les haut-parleurs et l'entrée AUX 2.



4.- Allumez l'alimentation de l'amplificateur.

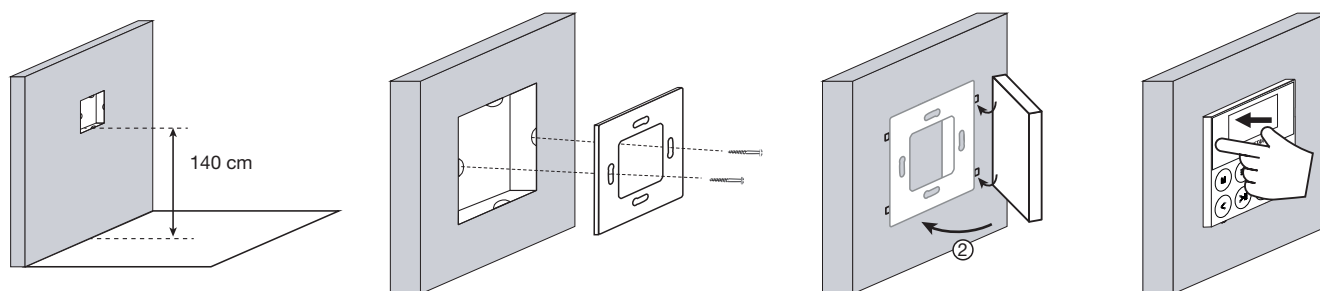
!ATTENTION! : faites attention lors du branchement de l'alimentation électrique. Débranchez d'abord l'alimentation électrique de l'automatique pour éviter tout choc.



5.- Installez l'amplificateur dans le boîtier mural et fixez le panneau avant.

Une hauteur d'installation de 140 cm du sol à la base du **KS-AMP** est recommandée.

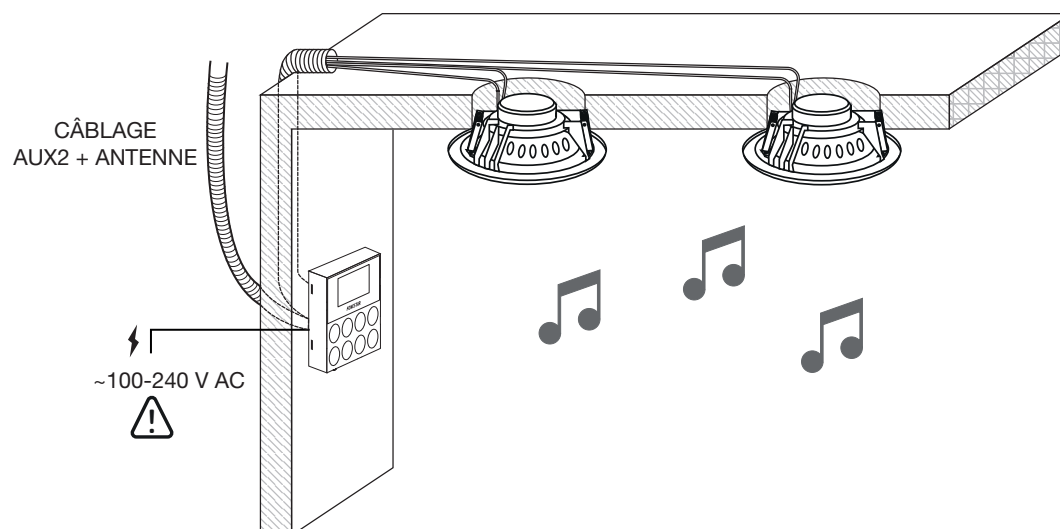
Pour une installation murale, utilisez les trous prévus à cet effet sur le panneau arrière. Ensuite, montez le panneau frontal. Placez d'abord les languettes sur le côté droit, puis appuyez sur le côté gauche jusqu'à ce que les deux parties soient complètement engagées.



N.B. : l'amplificateur est compatible avec boîte universelle standard carrée ou ronde. Si vous avez besoin d'une installation en surface, vous pouvez également utiliser le modèle FONESTAR **DOT-BOX-B**.

6.- Vérifiez le fonctionnement pour vérifier l'installation.

IMPORTANT : il est recommandé d'éteindre l'appareil lorsqu'il n'est pas utilisé afin d'économiser de l'énergie et de prolonger la durée de vie de l'appareil.



SPÉCIFICATIONS TECHNIQUES

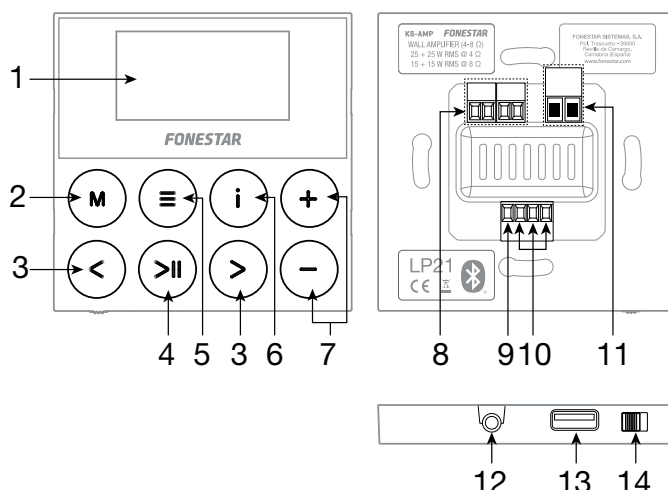
| | KS-WALL | KS-WALL-4 |
|-------------------------|--|--|
| CARACTÉRISTIQUES | Kit son : amplificateur stéréo compact avec 2 haut-parleurs de plafond de 6". | Kit son : amplificateur stéréo compact avec 4 haut-parleurs de plafond de 6". |
| | <p>Récepteur Bluetooth. Lecteur USB. Tuner FM avec 50 présélections et recherche automatique. 2 entrées auxiliaires de niveau ligne. Autoplay, lance la lecture automatiquement lorsqu'il est allumé. Mémoire du dernier mode sélectionné. Mémoire du mode de lecture (aléatoire, répétition). Écran LCD de 2,15" affichant des informations sur le mode et la lecture. Volume maximal configurable. Minuterie d'arrêt. Égalisation des basses et des aigus. Sélecteur mono/stéréo. Contrôle par des boutons tactiles ou par la télécommande incluse. Pour boîte standard universelle carrée et ronde.</p> | |
| PUISSANCE | 15 + 15 W RMS@8 Ω | 25 + 25 W RMS@4 Ω |
| HAUT-PARLEURS | 2 Haut-parleurs 6"@8 Ω Corps en ABS Grille ronde en aluminium sans cadre | 4 Haut-parleurs 6"@8 Ω Corps en ABS Grille ronde en aluminium sans cadre |
| ENTRÉES | <p>1 x ligne auxiliaire, jack 3'5 mm, 200 mV RMS 1 x ligne auxiliaire, euroblock, 200 mV RMS 1 x antenne FM</p> | |
| SORTIES | Haut-parleurs : 8 Ω. borniers à vis | |
| ALIMENTATION | 100-240 V CA | |
| DIMENSIONS | <p>Amplificateur : Extérieur : 83 x 83 x 42 mm de profondeur Montage : 45 x 45 x 31 mm de profondeur Distance entre les vis : 60 mm Haut-parleurs: 186 mm Ø x 70 mm de profondeur Diamètre de coupe: 170 mm</p> | |
| ACCÉSSOIRES | <p>Câblage des haut-parleurs 4 x 5 m Câble d'antenne FM Télécommande Piles incluses</p> | |
| OPTIONNEL | DOT-BOX-B : boîtier pour montage en surface | |

DESCRIÇÃO

- Kit de som (tudo em um) que inclui colunas de teto e o amplificador de parede.
- Com múltiplas opções de reprodução: Bluetooth®/USB/MP3, sintonizador FM com 50 pré-sintonias e duas entradas auxiliares, ampliando as suas possibilidades e permitindo desfrutar da música reproduzida a partir de qualquer outro dispositivo com saída de nível de linha.
- Adicionalmente, graças às colunas de teto de 6", poderá apreciar um som estéreo de grande qualidade e potência sem distorção.
- Permite configurar um volume máximo, estabelecendo um limite para garantir que o volume desejado não é ultrapassado. E tem ainda um temporizador para desligar e equalização de graves e agudos.
- Este kit permite a sua instalação em caixa standard universal quadrada e uma integração fácil em qualquer espaço.
- Controlo por painel táctil ou através do comando à distância incluído.
- **KS-WALL:** amplificador com comando à distância **KS-AMP** + 2 colunas KS-SPEAK.
- **KS-WALL-4:** amplificador com comando à distância **KS-AMP** + 4 colunas KS-SPEAK.

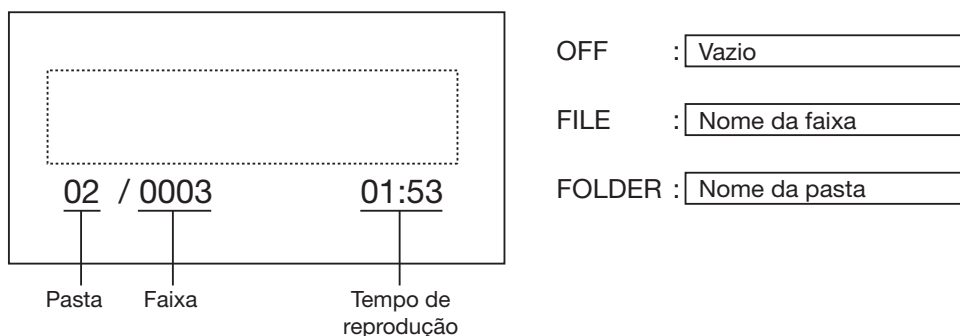
CONTROLOS E FUNÇÕES

AMPLIFICADOR KS-AMP



- Ecrã de informação.
NOTA: o ecrã irá apagar-se 10 minutos após não tocar em nenhum botão do amplificador ou do comando à distância. Pressione qualquer botão para voltar a ligar o ecrã.
- **M:** pressione este botão sucessivamente para ir mudando entre os diferentes modos de reprodução: rádio FM, USB, Bluetooth, AUX 1 e AUX 2.
- **</>:** em modo de USB e Bluetooth, um toque rápido nestes botões permite seleccionar a faixa anterior/seguinte à que estiver em reprodução no momento. Só em modo de USB, um toque prolongado nestes botões permite efetuar um recuo/avanço rápido na reprodução.
Em modo de rádio, um toque rápido nestes botões seleciona a anterior/seguinte emissora memorizada. Um toque prolongado seleciona a anterior/seguinte frequência com sinal.
No menu, permite a navegação vertical pelas opções do menu.
- **>||:** em modo de USB e Bluetooth, permite iniciar e fazer pausa na reprodução.
Em modo de rádio, um toque rápido ativa/desativa a saída de áudio. Enquanto um toque prolongado sintoniza e armazena automaticamente as emissoras FM disponíveis.
No menu, permite seleccionar a opção realçada.
- **□:** acesso ao menu do modo ativo. Para sair, pressione novamente o botão ou selecione a opção EXIT do menu. Para mais informação, consulte a secção MENU.
- **i:** um toque prolongado neste botão bloqueia/desbloqueia os botões do amplificador.

Em modo de USB, pressione repetidamente este botão para alterar a informação adicional a ser visualizada no ecrã: OFF (não apresenta informação adicional), FILE (nome da faixa em reprodução) e FOLDER (nome da pasta que contém a faixa em reprodução).



- 7.- **-/+**: controlos de volume do amplificador.
No menu, permitem alterar o valor da opção seleccionada.
- 8.- **L R**: terminais de ligação para colunas, conector euroblock. Ligue uma coluna a cada canal (L, R) respeitando a polaridade indicada. Para mais informação, consulte a secção **INSTALAÇÃO**.
- 9.- **FM**: terminal de antena, conector euroblock.
- 10.- **AUX 2**: entrada auxiliar estéreo de nível de linha, conector euroblock.
- 11.- **~100-240 V**: terminais de ligação para alimentação 100-240 V CA, conector euroblock.
- 12.- **AUX 1**: entrada auxiliar estéreo de nível de linha, 3,5 mm estéreo.
- 13.- **USB**: porta de ligação de dispositivos de armazenamento USB.
- 14.- **ON/OFF**: interruptor para ligar/desligar o amplificador.

IMPORTANTE: é recomendado desligar o dispositivo quando não estiver a ser usado para poupar energia e prolongar a sua vida útil.

COMANDO À DISTÂNCIA

- 1.- **☰**: acesso ao menu do modo ativo. Para sair, pressione novamente o botão ou seleccione a opção EXIT do menu. Para mais informação, consulte a secção **MENU**.

- 2.- **↶**: no menu, permite voltar ao menu anterior.

- 3.- **▶II/OK**: em modo de USB e Bluetooth, permite iniciar e fazer pausa na reprodução.

Em modo de rádio, um toque rápido activa/desactiva a saída de áudio. Enquanto um toque prolongado sintoniza e armazena automaticamente as emissoras FM disponíveis..

- 4.- **⏮/⏭**: em modo de USB e Bluetooth, um toque rápido nestes botões permite seleccionar a faixa anterior/seguinte à que estiver em reprodução no momento. Só em modo de USB, um toque prolongado nestes botões permite efetuar um recuo/avanço rápido na reprodução.

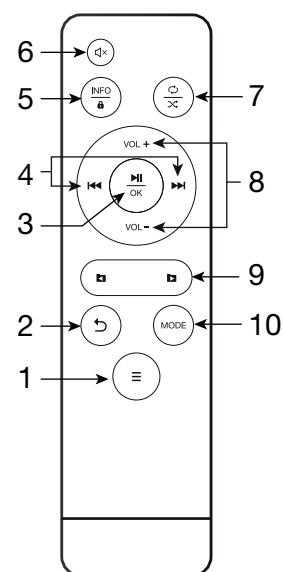
Em modo de rádio, um toque rápido nestes botões selecciona a anterior/seguinte emissora memorizada. Um toque prolongado selecciona a anterior/seguinte frequência com sinal.

No menu, permite a navegação vertical pelas opções do menu.

- 5.- **INFO/🔒**: um toque prolongado neste botão bloqueia/desbloqueia os botões do amplificador.

Em modo de USB, pressione repetidamente este botão para alterar a informação adicional a visualizar no ecrã: OFF (não apresenta informação adicional), FILE (nome da faixa em reprodução) e FOLDER (nome da pasta que contém a faixa em reprodução).

- 6.- **🔊**: activa/desactiva a saída de áudio.

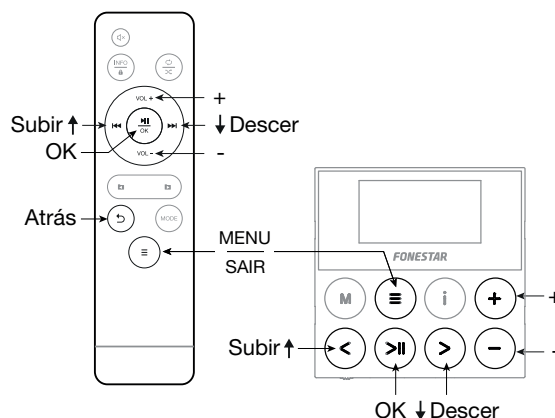


- 7.- : em modo de USB, seleciona o modo de reprodução:
- OFF: reproduz todas as faixas por ordem e para.
 - REPEAT ONE: repete 1 faixa.
 - REPEAT ALL: repete tudo.
 - RANDOM: reproduz todas as faixas de forma aleatória.
 - REPEAT FOLDER: repete todas as faixas de uma pasta.
 - RANDOM FOLDER: reproduz todas as faixas de uma pasta de forma aleatória.
- 8.- **VOL-/VOL+**: controlos de volume do amplificador.
No menu, permitem alterar o valor da opção selecionada.
- 9.- / : em modo de USB, permite selecionar a faixa anterior/seguinte.
- 10.- **MODE**: pressione este botão sucessivamente para ir mudando entre os diferentes modos de reprodução: rádio FM, USB, Bluetooth, AUX 1 e AUX 2.

MENU

Cada um dos modos dispõe de opções próprias além de 4 opções comuns a todos os modos.

Utilize os botões do amplificador ou do comando à distância para navegar pelo menu.



OPÇÕES COMUNS A TODOS OS MODOS DE FUNCIONAMENTO:

- : atenua/reforça as frequências graves.
 - : atenua/reforça as frequências agudas.
 - : permite limitar o volume máximo. As opções são: 25%, 50%, 75% ou 100%.
 - : permite programar a desativação automática da saída de áudio após o tempo indicado: 30, 60 ou 90 minutos, ou OFF para desativar esta opção. Quando esta função está ativa, o ecrã apresenta a contagem decrescente dos minutos configurados.
- NOTA:** esta opção não desliga o equipamento, só desativa a saída de áudio, por isso o amplificador permanecerá ligado com o ecrã apagado.
- : selecione esta opção para sair do menu ou pressione o botão .

NOTA: num dos menus irá aparecer a opção

OPÇÕES RÁDIO FM:

- : efetua uma pesquisa automática das emissoras FM e armazena-as na memória.
- : se pressionar os botões / do amplificador, o / do comando à distância seleciona a anterior/seguinte frequência com sinal.
- : permite mover ou eliminar as emissoras armazenadas na memória para personalizar a lista. Deverá ter feito antes uma pesquisa automática (AUTOMEMORY ou toque prolongado em). Entre nesta opção do menu para visualizar a lista das emissoras armazenadas. Selecione a posição de memória a alterar e escolha a ação que quer realizar entre as seguintes:
- : (mover): move a emissora de uma posição de memória selecionada para outra posição, trocando uma pela outra. Ou seja, se mudou a emissora CH01 87.5 (origem) pela CH04 100.5 (destino), ao terminar a ação, CH01 será 100.5 e CH04 será 87.5.
 - Agora já com a posição de origem selecionada, deve selecionar a posição de memória destino para onde deseja mover a emissora selecionada previamente.

- (eliminar): elimina a emissora da posição de memória selecionada. Selecione a posição de memória (emissora) a eliminar. Esta ação exige confirmação selecionando , mas caso tenha selecionado por erro pressione (voltar) para voltar ao menu anterior sem eliminar a emissora.

OPÇÕES USB:

- : permite selecionar uma pasta de entre as existentes no dispositivo USB.
- : permite selecionar o modo de reprodução:
 - : reproduz todas as faixas por ordem e para.
 - : repete 1 faixa.
 - : repete tudo.
 - : reproduz todas as faixas de forma aleatória.
 - : repete todas as faixas de uma pasta.
 - : reproduz todas as faixas de uma pasta de forma aleatória.

OPÇÃO BLUETOOTH:

- : desemparelha o dispositivo ligado e permanece em estado de espera para ser emparelhado novamente.

OPÇÕES AUX1 E AUX 2:

(Não tem funções próprias)

FUNCIONAMENTO BÁSICO

MODO RÁDIO FM

- Selecione o modo RÁDIO FM no amplificador.
- Efetue uma sintonização automática das emissoras para começar a utilizar este modo.
- Quando terminar poderá selecionar a emissora que deseja ouvir de todas as sintonizadas.
- Se desejar personalizar a lista de emissoras armazenadas na memória, poderá fazê-lo usando as opções de menu.

MODO BLUETOOTH

- Selecione o modo BLUETOOTH no amplificador para emparelhar o seu smartphone ou tablet a partir do qual deseja enviar áudio.
- No seu smartphone/tablet, ative o modo bluetooth. Por último, pesquise e selecione o dispositivo **KS-AMP**.
- Selecione a música no seu smartphone/tablet e inicie a reprodução.
- Certifique-se de que o seu smartphone/tablet tem um volume suficiente para poder ser ouvido através do amplificador. Deste modo, agora poderá controlar o volume a partir do próprio amplificador sem ter de manipular mais nenhum equipamento.

MODO USB

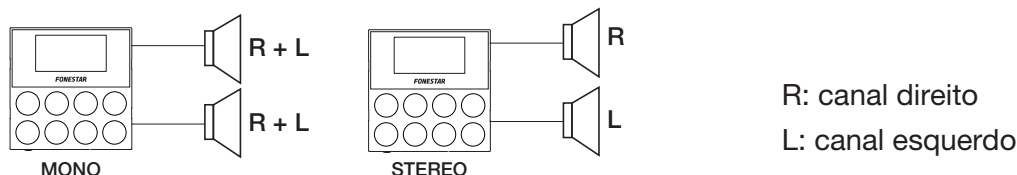
- Ligue o dispositivo USB para ativar o modo USB diretamente. Se já estiver ligado, selecione o modo USB pressionando repetidamente o botão M (MODE).
- Uma vez ativado o modo, a reprodução irá iniciar automaticamente.

MODO AUX 1/AUX 2

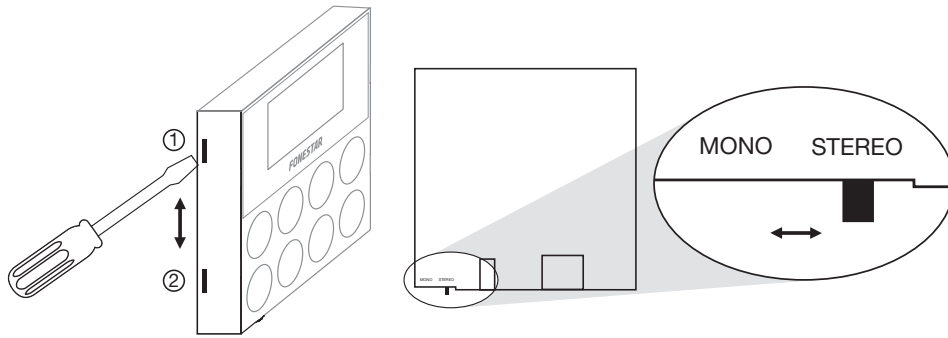
- Selecione o modo de AUX 1 (conector jack 3,5 mm estéreo, painel inferior do amplificador) ou AUX 2 (conector euroblock, painel posterior do amplificador).
- Ative o dispositivo de áudio (reprodutor, mesa de mistura, PC, smartphone, etc.) na entrada AUX1 ou AUX2 e inicie a reprodução no mesmo.
- Certifique-se de que o sinal do seu dispositivo de áudio tem um volume suficiente para poder ser ouvido através do amplificador. Deste modo, agora poderá controlar o volume a partir do próprio amplificador sem ter de manipular mais nenhum equipamento.

INSTALAÇÃO

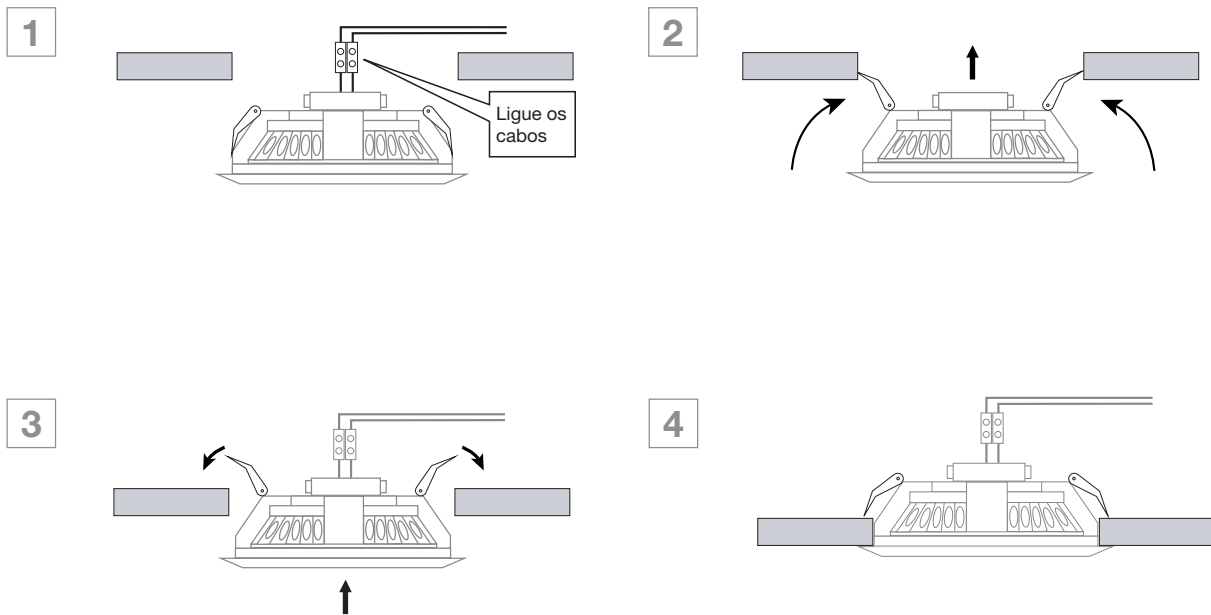
- 1.- Configure a saída de áudio como mono ou estéreo no amplificador. Se configurar a saída de áudio como mono, ambos os canais irão reproduzir o mesmo sinal (o canal direito e esquerdo misturados), mas se a configuração for estéreo, o áudio nos canais R e L será diferente (R: canal direito; L: canal esquerdo).



Para tal, introduza uma chave de fendas plana nas ranhuras que se encontram na parte lateral do amplificador e faça alavanca para separar a parte frontal da posterior. Atrás da parte frontal irá encontrar um pequeno interruptor com 2 posições (MONO e STEREO), selecione a configuração desejada com a ajuda de uma chave de fendas plana.

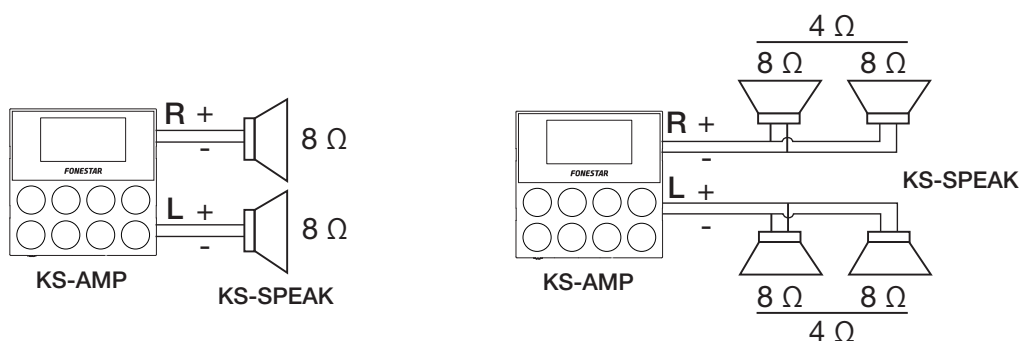


- 2.- Instale as colunas no teto, tendo em conta a configuração da saída de áudio definida no passo anterior. Orifício de corte de 170 mm.



RECOMENDAÇÕES PARA COLOCAR AS COLUNAS

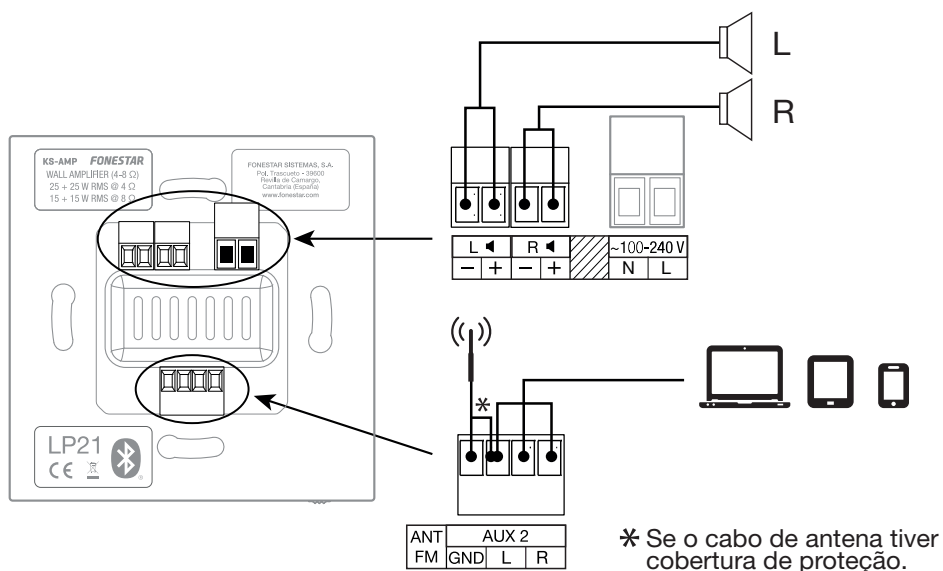
- Se a configuração de áudio for estéreo:
 - nunca coloque as colunas de canais diferentes (R e L) em diferentes divisões.
 - instale as colunas na posição adequada, em relação à posição do ouvinte, segundo a saída R ou L do amplificador à qual estiverem ligadas (R: canal direito; L: canal esquerdo).
- Para colocar colunas estéreo no teto é recomendado colocar as colunas à mesma distância de cada parede, ao longo da divisão e a pelo menos 2 metros de distância entre elas para obter o melhor efeito de separação estéreo.
- Se as colunas ficarem a menos de 2 metros de distância entre si, considere a possibilidade de colocar uma só coluna nessa divisão e a outra/outras noutra divisão. Neste caso, será necessário configurar o áudio MONO.



KS-WALL

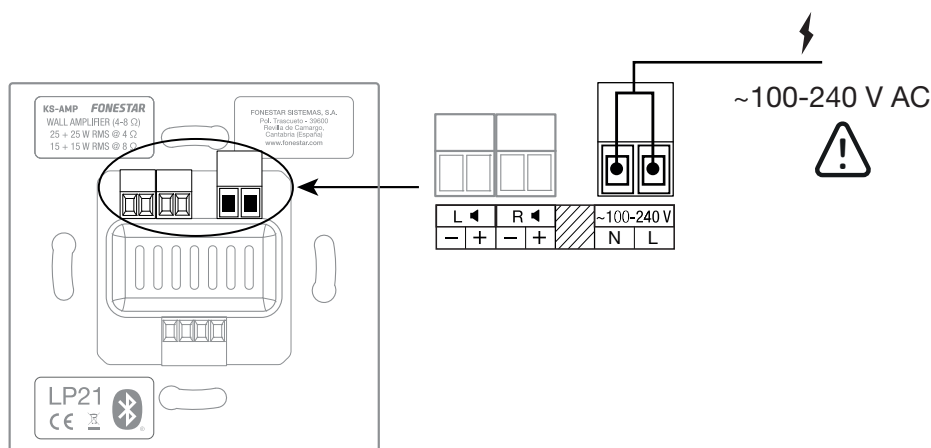
KS-WALL-4

3.- Ligue a antena, as colunas e a entrada AUX 2.



4.- Ligue a alimentação do amplificador.

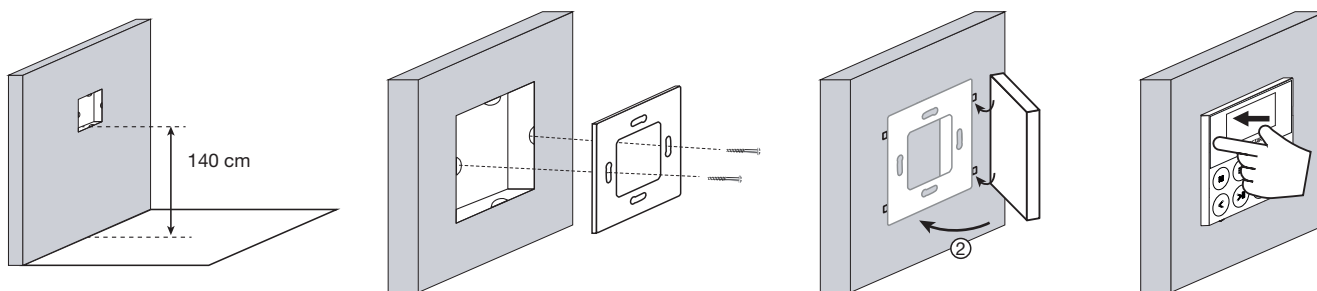
CUIDADO! Tenha cuidado ao ligar a alimentação. Desligue primeiro a corrente do automático para evitar descargas.



5.- Instale o amplificador na caixa de parede e coloque o painel frontal.

É recomendada uma altura de instalação de 140 cm desde o chão até à base do **KS-AMP**.

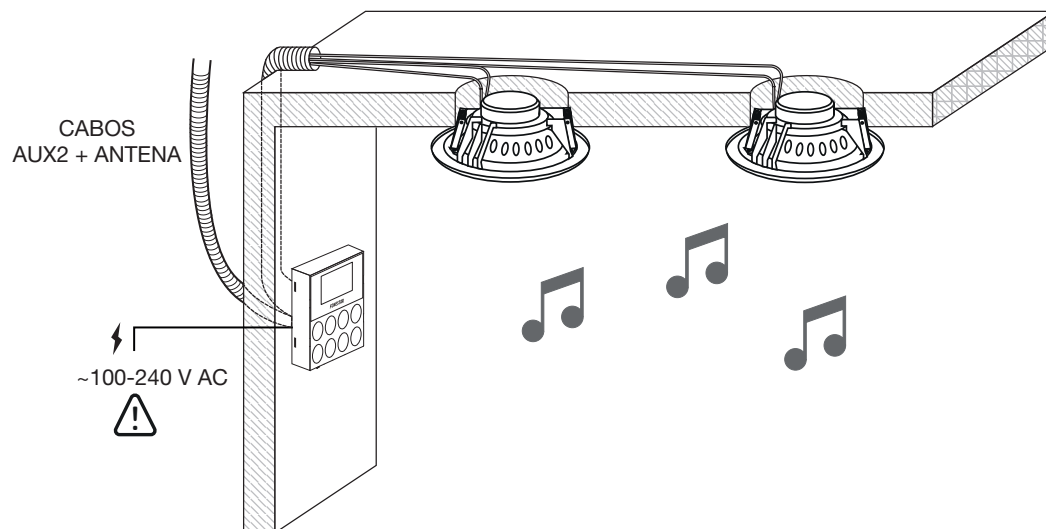
Para a instalação em parede utilize os orifícios destinados para o efeito no painel posterior. De seguida, coloque o painel frontal. Primeiro encaixe os rebordos do lado direito e depois pressione no lado esquerdo até ambas as partes ficarem completamente encaixadas.



NOTA: o amplificador é compatível com caixa standard universal quadrada ou redonda. Se for necessário fazer uma instalação à superfície, também pode utilizar o modelo FONESTAR **DOT-BOX-B**.

6.- Certifique-se de que funciona para verificar a instalação.

IMPORTANTE: é recomendado desligar o dispositivo quando não estiver a ser usado para poupar energia e prolongar a sua vida útil.



ESPECIFICAÇÕES TÉCNICAS

| | KS-WALL | KS-WALL-4 |
|------------------------|--|---|
| CARACTERÍSTICAS | Kit de som: amplificador estéreo compacto com 2 colunas de teto de 6". Recetor Bluetooth. Reprodutor USB. Sintonizador FM com 50 pré-sintonias e pesquisa automática. 2 entradas auxiliares de nível de linha. Autoplay, inicia a reprodução automaticamente ao ligar. Memória do último modo selecionado. Memória do modo de reprodução (random, repeat). Ecrã LCD 2,15" de informação de modo e reprodução. Volume máximo configurável. Temporizador para desligar. Equalização de graves e agudos. Seletor mono/estéreo. Controlo por botões tácteis ou por comando à distância incluído. Para caixa standard universal quadrada e redonda. | Kit de som: amplificador estéreo compacto com 4 colunas de teto de 6". |
| POTÊNCIA | 15 + 15 W RMS@8 Ω | 25 + 25 W RMS@4 Ω |
| ALTIFALANTES | 2 colunas 6"@8 Ω Corpo ABS Grelha redonda de alumínio sem moldura | 4 colunas 6"@8 Ω Corpo ABS Grelha redonda de alumínio sem moldura |
| ENTRADAS | 1 x linha auxiliar, jack 3,5 mm, 200 mV RMS 1 x linha auxiliar, euroblock, 200 mV RMS 1 x antena FM | |
| SAÍDAS | Altifalantes: 4-8 Ω, euroblock | |
| ALIMENTAÇÃO | 100-240 V CA | |
| MEDIDAS | Amplificador: Exteriores: 83 x 83 x 42 mm profundidade Montagem: 45 x 45 x 31 mm profundidade Distância entre parafusos: 60 mm Colunas: 186 mm Ø x 70 mm profundidade Orifício de corte: 170 mm | |
| ACESSÓRIOS | Cablagem para coluna 4 x 5 m Cabo de antena FM Comando à distância Pilhas incluídas | |
| OPCIONAL | DOT-BOX-B: caixa para montagem em superfície. | |

EN

SIMPLIFIED EU DECLARATION OF CONFORMITY

FONESTAR SISTEMAS S.A. hereby declares that the amplifier KS-AMP (included in the KS-WALL and KS-WALL-4 kits) is in compliance with the Directive 2014/53/EU.

The complete text of the EU Declaration of Conformity is available at the following internet address:

fonestar.com/ES/KS-AMP

ES

DECLARACIÓN UE DE CONFORMIDAD SIMPLIFICADA

Por la presente, FONESTAR SISTEMAS S.A. declara que el amplificador KS-AMP (incluido en los kits KS-WALL y KS-WALL-4) es conforme con la Directiva 2014/53/EU.

El texto completo de la declaración UE de conformidad está disponible en la dirección Internet siguiente:

fonestar.com/ES/KS-AMP

FR

DÉCLARATION UE DE CONFORMITÉ SIMPLIFIÉE

FONESTAR SISTEMAS S.A. déclare que le amplificateur KS-AMP (inclus dans les kits KS-WALL et KS-WALL-4) est conforme à la Directive 2014/53/EU.

Le texte complet de la déclaration UE de conformité se trouve disponible sur le site Internet suivant:

fonestar.com/ES/KS-AMP

PT

DECLARAÇÃO UE DE CONFORMIDADE SIMPLIFICADA

A abaixo assinada, FONESTAR SISTEMAS S.A. declara que o amplificador KS-AMP (incluído nos kits KS-WALL e KS-WALL-4) está em conformidade com a Diretiva 2014/53/EU.

O texto integral da declaração de conformidade está disponível no seguinte endereço de Internet:

fonestar.com/ES/KS-AMP

www.fonestar.com