

PUBLIC ADDRESS / ATTENUATORS / LOW IMPEDANCE

DOT-60M

LOW IMPEDANCE MONO ATTENUATOR



- ✓ For 100 V line installations
- ✓ For universal standard case
- ✓ 6 position ergonomic potentiometer with switch off
- ✓ Minimalist aesthetic

ESPECIALLY RECOMMENDED IN:



Hospitality



Offices



Hotels



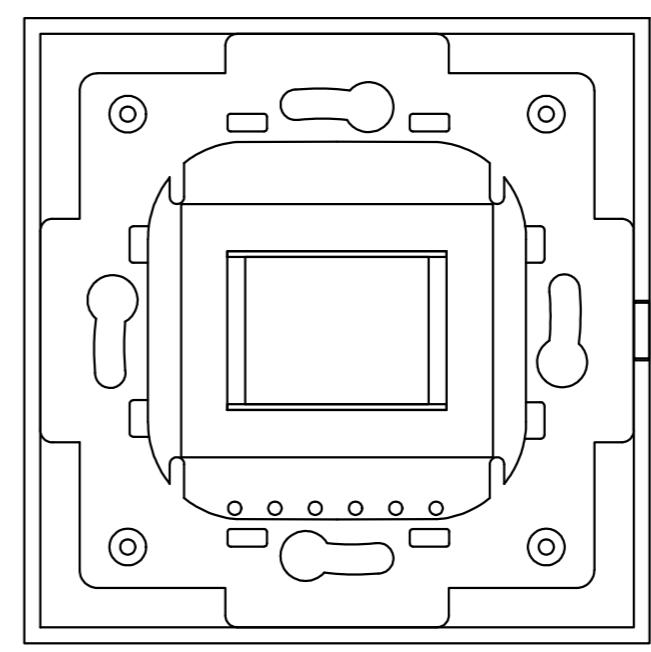
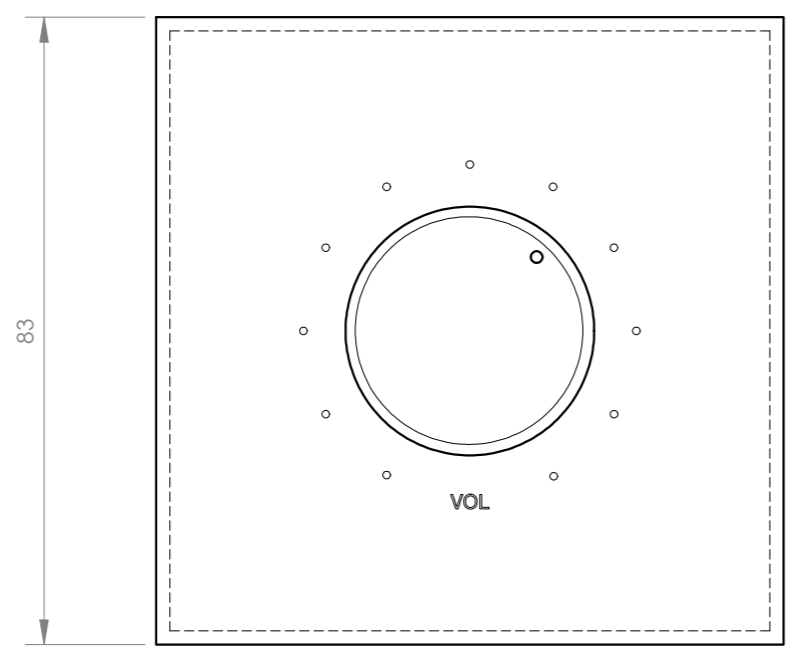
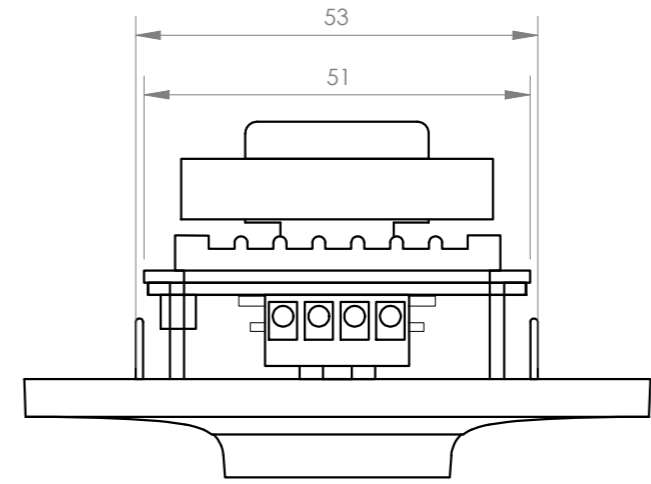
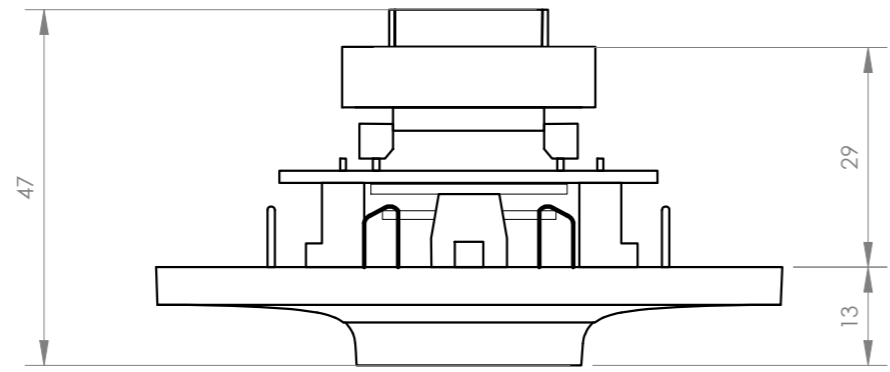
All sectors

DESCRIPTION

Low impedance mono attenuator for flush or surface mounting. Minimalist aesthetics, with FONESTAR's own design, taking into account the needs of the market to make them go unnoticed in any installation, whether domestic or professional. Ergonomically designed 6-position potentiometer with switch-off, which allows for easy handling. Transformer attenuator for improved sound quality and precise volume control. Thanks to their standard dimensions, they can be fitted with universal square and round boxes for plasterboard partition walls (plasterboard). They can also be surface mounted in conjunction with the surface mounting boxes mod. DOT-BOX, available in black or white. The entire range is supplied in white, however, for installations requiring black attenuators, the black panel mod can be purchased separately. DOT-01N, easily interchangeable with white. Perfect for public address and voice evacuation systems, large and small shops, shopping centres, hotels, cafés, amusement arcades, home use, etc.

TECHNICAL CHARACTERISTICS

FEATURES	Low impedance mono transformer attenuator for recessed or surface mounting. The transformer provides better sound quality and volume control accuracy.
POWER	60 W maximum
OUTPUTS	Low Z for 4-8 Ohm speakers
CONTROLS	6 dimming positions with off function
DIMENSIONS	Total: 83 x 83 x 50 mm depth Insert: 50 x 50 x 38 mm depth
WEIGHT	0.2 kg
	For standard universal square box, round for plasterboard partitions and for surface installation box mod. DOT-BOX. Distance between screws: 60 mm



FONESTAR	Model	Description	Units	Scale
	DOT-60M	LOW IMPEDANCE MONO ATTENUATOR	mm	1:1